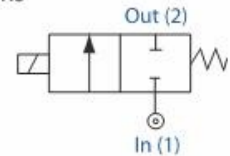


21 Series Exd & Exm 2/2 Normally Closed



Features & Benefits

- Compact Valve Design
- Wide Range of Available Orifices
- Zero Pressure Rated
- Choice of Valve Body Material and Seals
- Exd and Exm Options
- Choice of electrical connections
- ATEX approved
- Response time 5-25ms



Electrical Characteristics

Coil Voltage DC (=):	24v, 110v
Coil Voltage AC 50Hz (~):	24v, 110v, 230v
Voltage tolerance:	+10% or -10%
Duty Cycle:	100% ED
Protection Class (Exd):	Exd IIC T6 (-50°C to +40°C) (IP67 BS EN 60529)
Protection Class (Exm):	Exm II 2 G T5 (-20°C to +40°C) (IP65 BS EN 60529)
Electrical Connection (Exd):	M20 x 1.5-6HAS 1721 I.S.O METRIC FINE
Electrical Connection (Exm):	M16 x 1.5-6H AS 1721 I.S.O METRIC FINE + 2m lead
Coil Insulation:	Class H (BS EN 60085) 180°C (E5 type)
Power Rating:	19VA, 14.5 watts

Features

Pipe Size	Kv	OPD (Bar)		P.Max Bar	Orifice mm	Protection Class	Cat No.
		AC Voltages	DC Voltages				
1/8"	0.21	0 - 20	0 - 20	60	2.4	Exd T6	21122159
1/8"	0.30	0 - 15	0 - 10	60	3.0	Exd T6	21132159
1/4"	0.21	0 - 20	0 - 20	60	2.4	Exd T6	21222159
1/4"	0.30	0 - 15	0 - 10	60	3.0	Exd T6	21232159
1/4"	0.46	0 - 7.0	0 - 5.5	60	4.5	Exd T6	21242159
1/4"	0.60	0 - 4.0	0 - 2.7	60	6.0	Exd T6	21252159
1/8"	0.21	0 - 20	0 - 20	60	2.4	Exm T5	21122179
1/8"	0.30	0 - 15	0 - 10	60	3.0	Exm T5	21132179
1/4"	0.21	0 - 20	0 - 20	60	2.4	Exm T5	21222179
1/4"	0.30	0 - 15	0 - 10	60	3.0	Exm T5	21232179
1/4"	0.46	0 - 7.0	0 - 5.5	60	4.5	Exm T5	21242179
1/4"	0.60	0 - 4.0	0 - 2.7	60	6.0	Exm T5	21252179

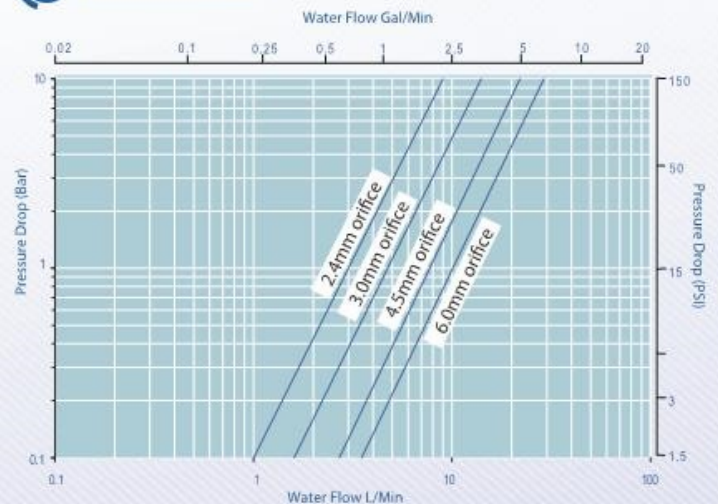
Specifications

Function:	Normally Closed, Energise to open
Ambient Temperature:	-10°C to +40°C
Maximum Viscosity:	115 SSU
Body Material (Std):	Brass CZ122
Flange Tube:	Stainless Steel 303
Plunger and Top Stop:	Stainless Steel 430FR
Springs:	Stainless Steel 302
Seal Material (Std):	Nitrile (BunaN)
Connection Type (Std):	BS21
Shading Coil:	Copper

How to use the Flow Chart

1. Select the required flow.
2. Note the corresponding orifices/model and pressure drop.
3. Using orifices/model, (refer to the Features panel) for technical information

Flow Data



Morrel International S.r.l.

Tel. +39 023560433

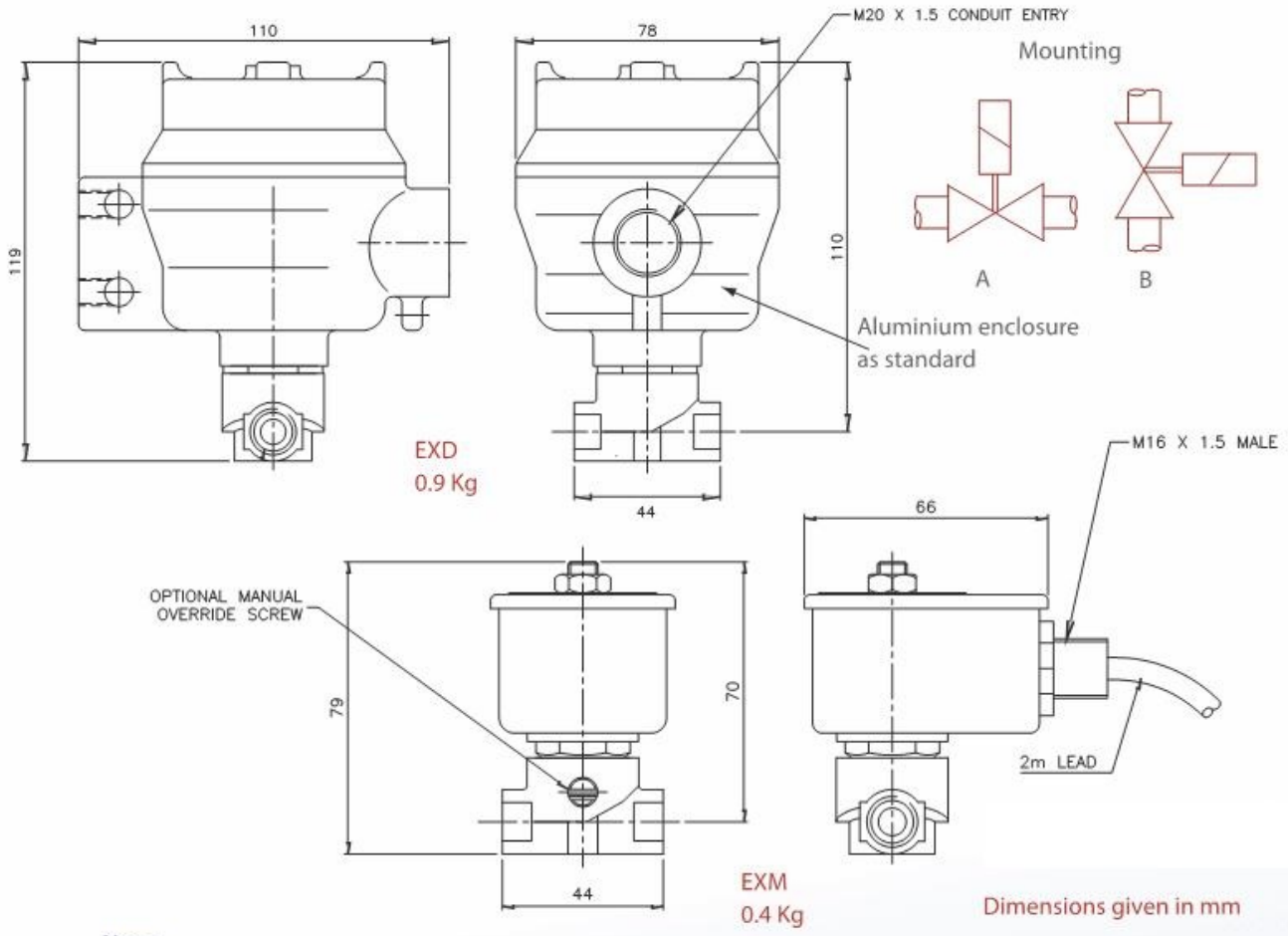
Tel. +39 023560452

Fax +39 023562627

E-mail: morrel_int_srl@yahoo.it

21 Series Exd & Exm 2/2 Normally Closed

Dimensions



- Note:**
- Tested in accordance with BS EN 12266-1
 - PED Compliant

Solenoid Coil may be rotated to any angle.

Options

Solenoid Enclosure		
Protection Class	Electrical Entry	Ambient
EExd T4 (IP67)	M20 X 1.5 Female	-50°C to +70°C

Body Material
Stainless Steel 316

Seal Material	Media Temperature Range
EPDM	-50°C to +120°C
Viton	-20°C to +150°C
PTFE	-200°C to +180°C

See solenoid enclosures for specific details
CSA and IECEx options

See corrosion reference guide and
sealing solutions for material compatibility