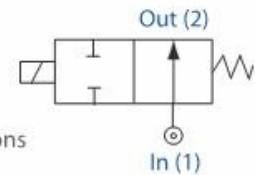


22 Series Exd & Exm 2/2 Normally Open



Features & Benefits

- Zero Pressure Rated
- Ideal for In-Line System Service and Repair
- Choice of Valve Body Material and Seals
- Design accommodates for Exd and Exm options
- Response time 5-25ms



Electrical Characteristics

Coil Voltage DC (=):	24v, 110v
Coil Voltage AC 50Hz (~):	110v, 230v
Voltage tolerance:	+10% or -10%
Duty Cycle:	100% ED
Protection Class (Exd):	Exd IIC T6 (-50°C to +40°C) (IP67 BS EN 60529)
Protection Class (Exm):	Exm II 2 GT5 (-20°C to +40°C) (IP65 BS EN 60529)
Electrical Connection (Exd):	M20 x 1.5-6HAS 1721 I.S.O METRIC FINE
Electrical Connection (Exm):	M16 x 1.5-6H AS 1721 I.S.O METRIC FINE + 2m lead
Coil Insulation:	Class H (BS EN 60085) 180°C (E5 type)
Power Rating:	14.5 watts, 19VA

Specifications

Function:	2 way Normally Open, Energise to close
Ambient Temperature:	-10°C to +40°C
Maximum Viscosity:	115 SSU
Body Material 3/8" - 1":	Brass CZ122
Body Material 1 1/4" - 2":	Bronze DIN1705
Flange Tube:	Stainless Steel 303
Plunger and Top Stop:	Stainless Steel 430FR
Springs:	Stainless Steel 302
Seal Material (Std):	Nitrile (BunaN)
Connection Type (Std):	BS21

Features

EXD

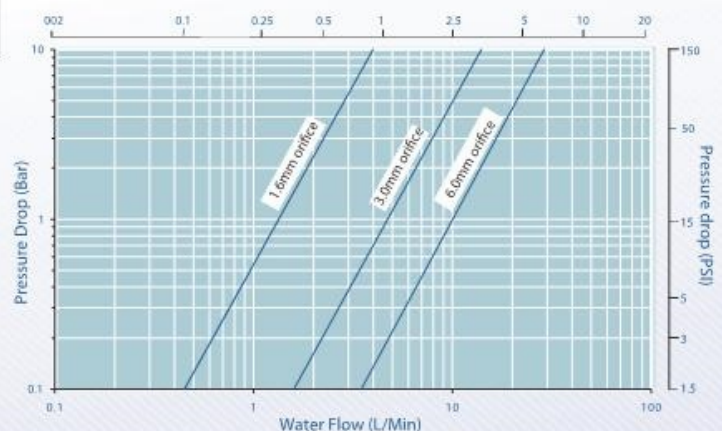
Pipe Size	Kv	OPD (Bar)		P.Max Bar	Orifice mm	Cat No.
		AC Voltages	DC Voltages			
1/8"	0.10	0 - 20	0 - 20	50	1.6	22112159
1/8"	0.30	0 - 10	0 - 10	50	3.0	22132159
1/4"	0.10	0 - 20	0 - 20	50	1.6	22212159
1/4"	0.30	0 - 10	0 - 10	50	3.0	22232159
1/4"	0.60	0 - 1	0 - 1	50	6.0	22252159

EXM

Pipe Size	Kv	OPD (Bar)		P.Max Bar	Orifice mm	Cat No.
		AC Voltages	DC Voltages			
1/8"	0.10	0 - 20	0 - 20	50	1.6	22112179
1/8"	0.30	0 - 10	0 - 10	50	3.0	22132179
1/4"	0.10	0 - 20	0 - 20	50	1.6	22212179
1/4"	0.30	0 - 10	0 - 10	50	3.0	22232179
1/4"	0.60	0 - 1	0 - 1	50	6.0	22252179

Kv = Flow (M³/hr) of water @ 1bar pressure drop

Flow Data



How to use Flow Chart

1. Select the required flow.
2. Note the corresponding Qn and pressure drop.
3. Choose the desired valve by pipe size, orifice and Catalogue Number.

Morrel International S.r.l.

Tel. +39 023560433

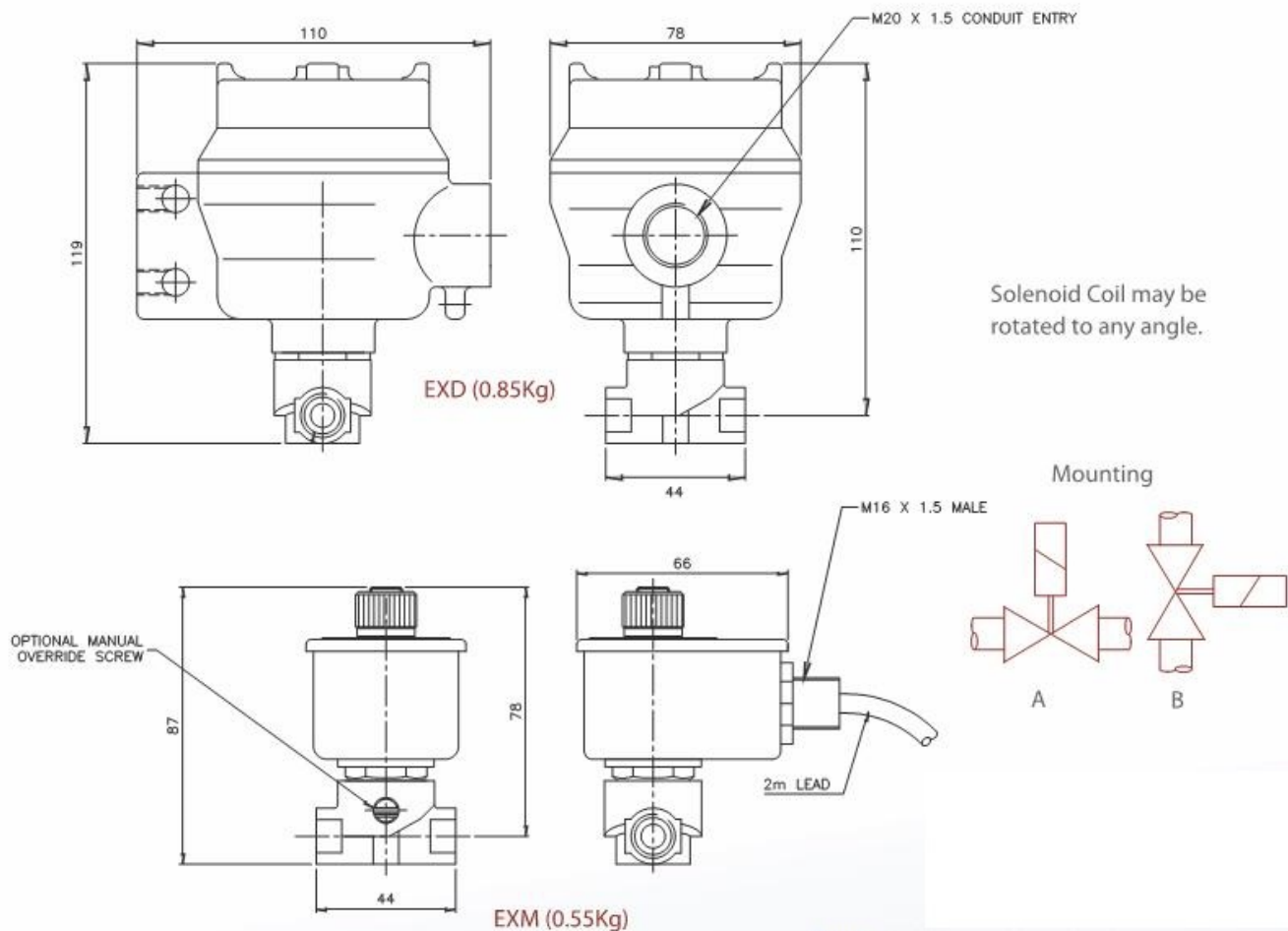
Tel. +39 023560452

Fax +39 023562627

E-mail: morrel_int_srl@yahoo.it

22 Series Exd & Exm 2/2 Normally Open

Dimensions



Solenoid Coil may be rotated to any angle.

Dimensions given in mm

Note:

- Tested in accordance with BS EN 12266-1
- PED Compliant

Options

Solenoid Enclosure		
Protection Class	Electrical Entry	Ambient
EExd T6 (IP67)	M20 X 1.5 Female	-50°C to +40°C
EExd T4 (IP67)	M20 X 1.5 Female	-50°C to +70°C
Exm T5 (IP65)	M16 X 1.5 Male FLYING LEAD	-20°C to +40°C

Body Material
Stainless Steel 316

Seal Material	Media Temperature Range
EPDM	-50°C to +120°C
Viton	-20°C to +150°C
PTFE	-200°C to +180°C

See solenoid enclosures for specific details
CSA and IECEX options

See corrosion reference guide and
sealing solutions for material compatibility

Morrel International S.r.l.

Tel. +39 023560433

Tel. +39 023560452

Fax +39 023562627

E-mail: morrel_int_srl@yahoo.it