

## 68ACPC Series 2/2 Normally Closed



### Features & Benefits

- Controls cryogenic media down to -196°C
- Choice of Valve Body Material and Seals
- Degreased and individually packed for cryogenic service
- Large porting for high flow
- Teflon® PTFE seals
- High pressure version
- Response time 40-100ms

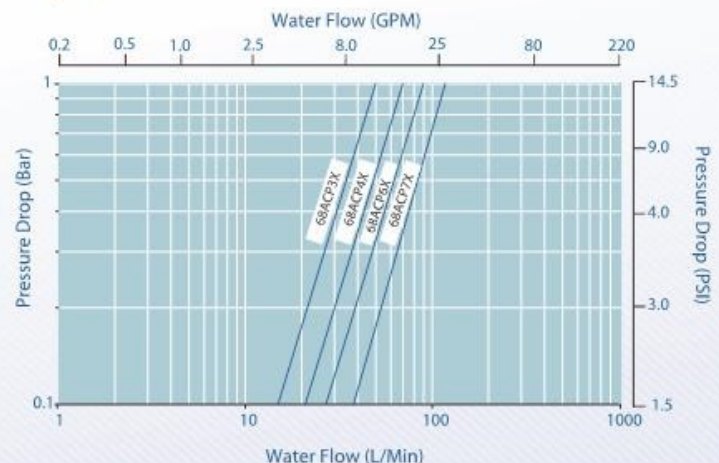
### Specifications

Function:	Normally Open, Energise to close
Special Feature:	Oxygen Degreased and Individually packed for use on liquids down to -196°C
Ambient Temperature:	-10°C to +50°C
Maximum Viscosity:	65cSt
Body Material (Std):	Brass
Flange Tube:	Stainless Steel 303
Plunger and Top Stop:	Stainless Steel 430FR
Springs:	Stainless Steel 302
Seal Material (Std):	PTFE (Teflon)
Connection Type (Std):	BS21
Shading Coil:	Copper

### Electrical Characteristics

Coil Voltage DC (=):	12v, 24v, 110v
Coil Voltage AC 50Hz (~):	24v, 110v, 120v, 230v
Coil Voltage AC 60Hz (~):	24v, 110v, 120v, 220v
Voltage tolerance:	+10% or -10%
Duty Cycle:	100% ED
Protection Class (Std):	IP65 (BS EN 60529) (plug supplied as standard)
Electrical Connection (Std):	PG9 Din Connector DIN 43650/ISO 4400 (EN 175301-803) Form 'A'
Coil Insulation:	Class F (BS EN 60085) 155°C
Power Rating:	22 watts

### Flow Data



#### How to use the Flow Chart

1. Select the required flow.
2. Note the corresponding orifices/model and pressure drop.
3. Using orifices/model, (refer to the Features panel) for technical information

### Features

Pipe Size	Kv	OPD (Bar)		P.Max	Orifice	Cat No.
		AC Voltages	DC Voltages	Bar	mm	
3/8"	3.0	0.3 - 35	0.3 - 35	60	16.00	68ACPC3X
1/2"	4.2	0.3 - 35	0.3 - 35	60	16.00	68ACPC4X
3/4"	5.4	0.3 - 35	0.3 - 35	60	16.00	68ACPC6X
1"	7.1	0.3 - 35	0.3 - 35	60	25.00	68ACPC7X

Note: Leak past seat less 100cc/min

Kv = Flow (M<sup>3</sup>/hr) of water @ 1bar pressure drop

**Morrel International S.r.l.**

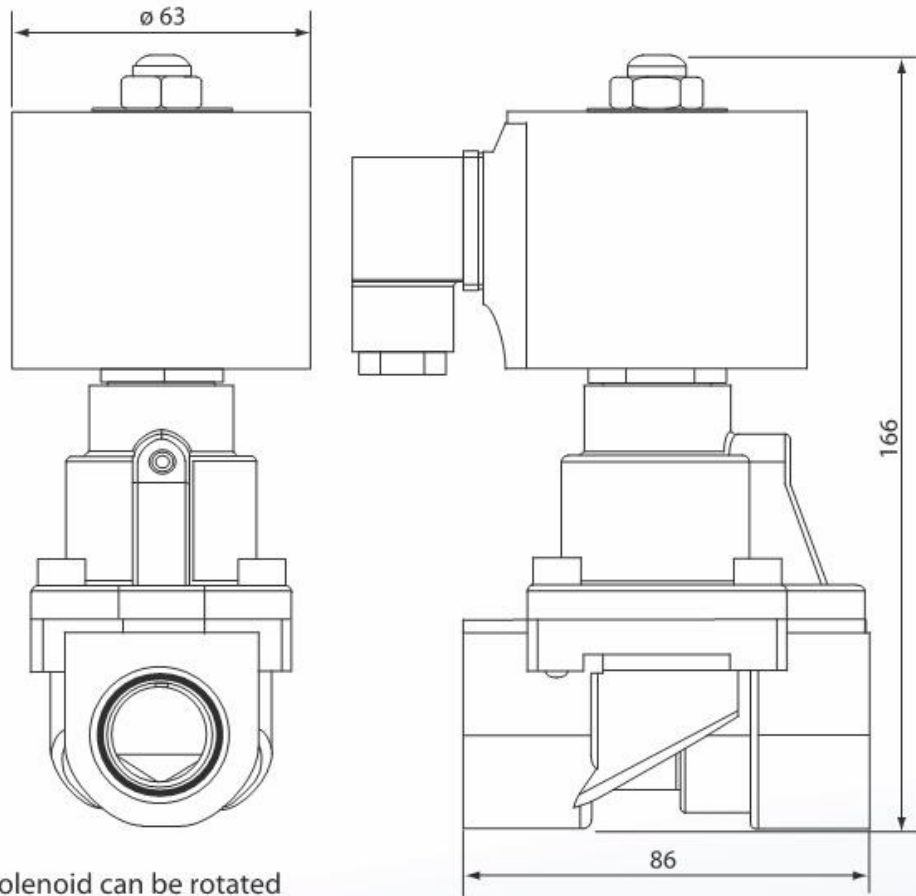
Tel. +39 023560433

Tel. +39 023560452

Fax +39 023562627

E-mail: morrel\_int\_srl@yahoo.it

## Dimensions



Solenoid can be rotated

Dimensions given in mm

## Options

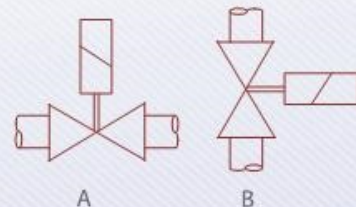
<i>Body Material</i>
Stainless Steel 316

### Note:

- Tested in accordance with BS EN 12266-1
- PED Compliant

LED power indicator option  
ANSI and PN flange options

### Mounting



### Morrel International S.r.l.

Tel. +39 023560433

Tel. +39 023560452

Fax +39 023562627

E-mail: morrel\_int\_srl@yahoo.it