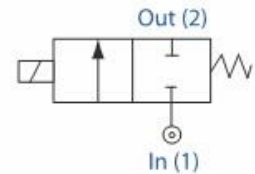


68 Series 2/2 Normally Closed



Features & Benefits

- Controls Cryogenic Media down to -196°C
- Degreased and Individually Packaged for Cryogenic Service
- Larger Porting for High Kv
- Teflon® - PTFE Seals
- Choice of Brass or Stainless Steel Valve Body



Features

Electrical Characteristics

Coil Voltage DC (=):	12v, 24v, 110v
Coil Voltage AC 50Hz (~):	24v, 110v, 120v, 230v
Coil Voltage AC 60Hz (~):	24v, 110v, 120v, 220v
Voltage tolerance:	+10% or -10%
Duty Cycle:	100% ED
Protection Class (Std):	IP65 (BS EN 60529) (plug supplied as standard)
Electrical Connection (Std):	PG9 Din Connector DIN 43650/ISO 4400 (EN 175301-803) Form 'A'
Coil Insulation:	Class H (BS EN 60085) 180°C
Power Rating:	14.5 watts, 19VA

Specifications

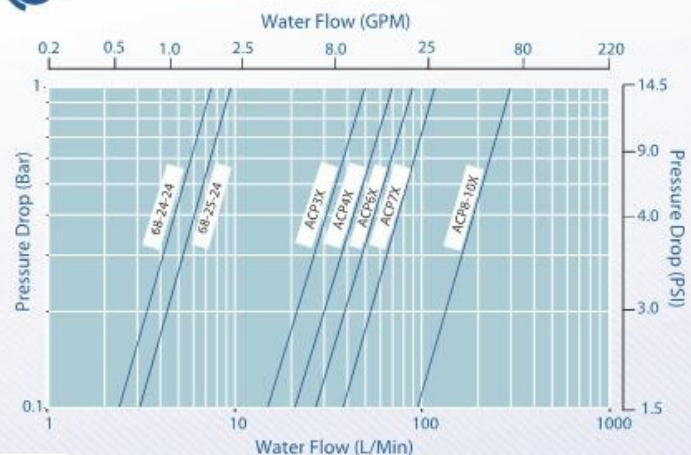
Function:	Normally Closed, Energise to open
Special Feature:	Oxygen Degreased and Individually packed for use on liquids down to -196°C
Ambient Temperature:	-10°C to +50°C
Maximum Viscosity:	65cSt
Body Material (Std):	Brass
Flange Tube:	Stainless Steel 303
Plunger and Top Stop:	Stainless Steel 430FR
Springs:	Stainless Steel 302
Seal Material (Std):	PTFE (Teflon)
Connection Type (Std):	BS21
Seal Material (Std):	PTFE (Teflon)

Note: Leak past seat less 100cc/min

Pipe Size	Kv	OPD (Bar)		P.Max Bar	Orifice mm	Cat No.
		AC Voltages	DC Voltages			
1/4"	0.43	0 - 8.0	0 - 6	50	4.50	68-24-24
1/4"	0.52	0 - 8.6	0 - 6	50	6.00	68-25-24
3/8"	3.0	0.3 - 8.6	0.3 - 6	50	16.00	68ACP3X
1/2"	4.2	0.3 - 8.6	0.3 - 6	50	16.00	68ACP4X
3/4"	5.4	0.3 - 8.6	0.3 - 6	50	16.00	68ACP6X
1"	7.1	0.3 - 8.6	0.3 - 6	50	25.00	68ACP7X
1 1/4"	18	0.3 - 8.6	0.3 - 6	50	32.00	68ACP8X
1 1/2"	18	0.3 - 8.6	0.3 - 6	50	32.00	68ACP9X
2"	18	0.3 - 8.6	0.3 - 6	50	32.00	68ACP10X

Kv = Flow (M³/hr) of water @ 1bar pressure drop

Flow Data



How to use the Flow Chart

1. Select the required flow.
2. Note the corresponding orifices/model and pressure drop.
3. Using orifices/model, (refer to the Features panel) for technical information

Morrel International S.r.l.

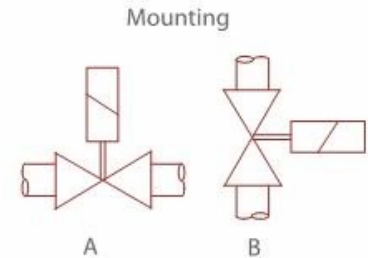
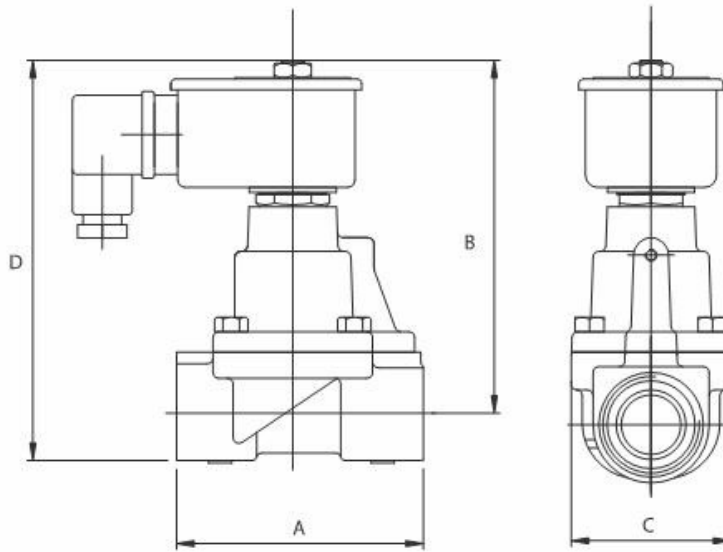
Tel. +39 023560433

Tel. +39 023560452

Fax +39 023562627

E-mail: morrel_int_srl@yahoo.it

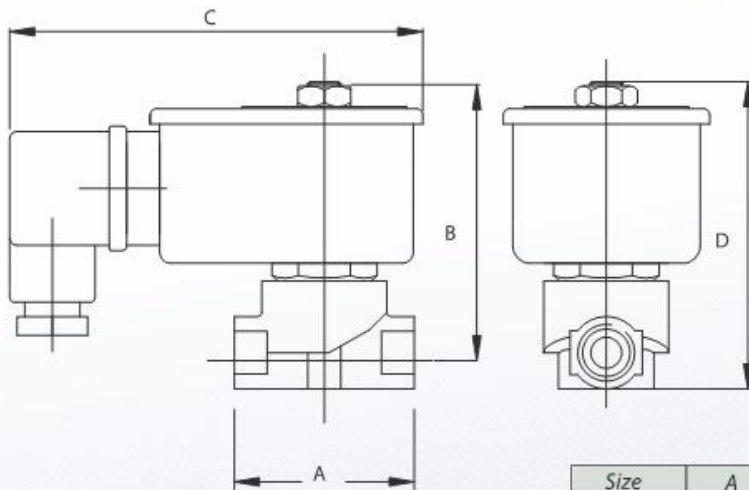
68 Series
2/2 Normally Closed



Dimensions

Size	A	B	C	D	Weight (Kg)
3/8" - 1/2"	85	105	105*	122	1.20
3/4" - 1"	85	135	105*	155	1.20 - 2.30
1 1/4" - 1 1/2"	117	133	82.5	209	3.10
2"	146	145	103	209	5.20

*Dimension Including Din Plug
Dimensions given in mm



Dimensions

Size	A	B	C	D	Weight (Kg)
1/8"	44	70	105	78	0.35
1/4"	44	70	105	78	0.35

Dimensions given in mm

LED power indicator option
Mounting bracket option
ANSI and PN flange options

Morrel International S.r.l.

Tel. +39 023560433

Tel. +39 023560452

Fax +39 023562627

E-mail: morrel_int_srl@yahoo.it