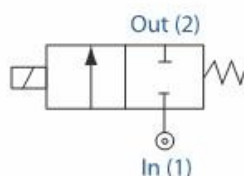


81 Series 2/2 Normally Closed



Features & Benefits

- Compact Valve Design
- High pressure valve
- Zero Pressure Rated
- Choice of Valve Body Material and Seals
- Direct Acting
- Response time 5-25ms

Electrical Characteristics

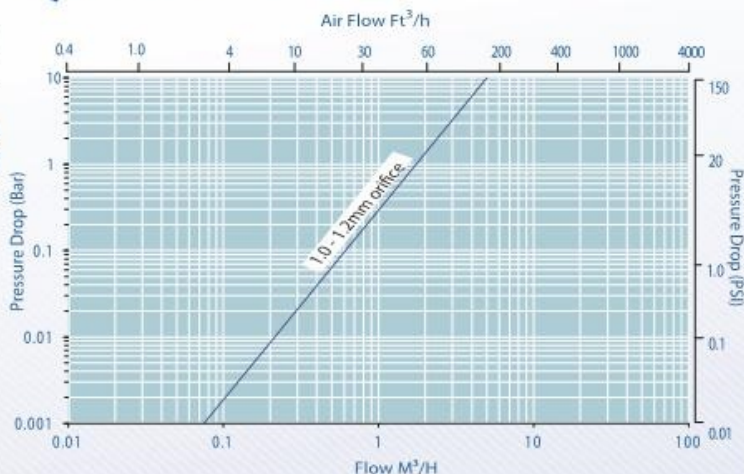
Coil Voltage AC 50Hz (-):	24v, 110v, 120v, 230v
Coil Voltage AC 60Hz (-):	24v, 110v, 120v, 220v
Voltage tolerance:	+10% or -10%
Duty Cycle:	100% ED
Protection Class (Std):	IP65 (BS EN 60529) (plug supplied as standard)
Electrical Connection (Std):	PG9 Din Connector DIN 43650/ISO 4400 (EN 175301-803) Form 'A'
Coil Insulation:	Class F (BS EN 60085) 155°C (D Type)
Power:	24VA, 18.5 Watts

Features

Pipe Size	Qn	OPD (Bar)		P.Max	Orifice	Cat No.
		AC Voltages	DC Voltages	Bar	mm	
1/4"	30	0-100	0-75	100	1.00	8111A2215
1/4"	30	0-90	0-70	100	1.20	811192215

Flow of air in litres/min @ 20°C. Input 6 bar Δp of 1 bar

Flow Data



How to use the Flow Chart

1. Select the required flow.
2. Note the corresponding orifices/model and pressure drop.
3. Using orifices/model, (refer to the Features panel) for technical information

Specifications

Function:	Normally Closed, Energise to open
Ambient Temperature:	-10°C to +50°C
Maximum Viscosity:	115 SSU
Body Material (Std):	Brass CZ122
Flange Tube:	Stainless Steel 303
Plunger and Top Stop:	Stainless Steel 430FR
Springs:	Stainless Steel 302
Seal Material (Std):	Viton
Connection Type (Std):	BSP
Shading Coil:	Copper

Morrel International S.r.l.

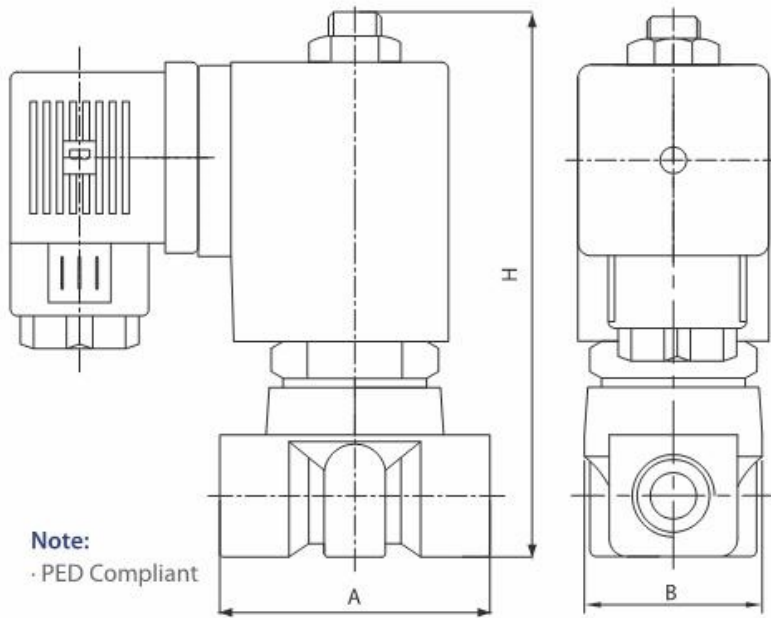
Tel. +39 023560433

Tel. +39 023560452

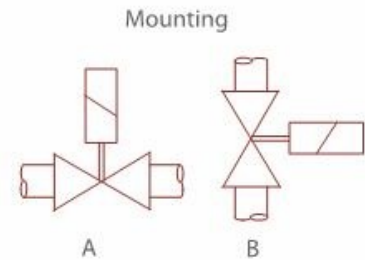
Fax +39 023562627

E-mail: morrel_int_srl@yahoo.it

81 Series 2/2 Normally Closed



Note:
· PED Compliant



Dimensions

Orifice ømm	Size	External Dimension			Weight Kg
		A	B	H	
1.0	1/8" 1/4"	40	27	82	0.35
1.2	1/8" 1/4"	40	27	82	0.35

Dimensions given in mm

Options

Body Material	Seal Material	Media Temperature Range
Stainless Steel 316	EPDM	-50°C to +120°C

See corrosion reference guide and
sealing solutions for material compatibility

LED power indicator option
Mounting bracket option

Morrel International S.r.l.

Tel. +39 023560433

Tel. +39 023560452

Fax +39 023562627

E-mail: morrel_int_srl@yahoo.it