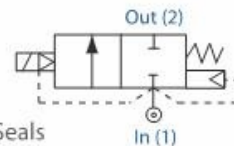


ACD Series Exd & Exm 2/2 Normally Closed



Features & Benefits

- Robust Valve Design
- Diaphragm Operation
- Fully Ported Orifices for high Kv
- Choice of Valve Body Material and Seals
- ATEX approved
- Response time up to 1" 15-60ms
- Response time up to 2" 60-120ms



Electrical Characteristics

Coil Voltage DC (=):	24v, 110v
Coil Voltage AC 50Hz (~):	110v, 230v
Voltage tolerance:	+10% or -10%
Duty Cycle:	100% ED
Protection Class (Exd):	Exd IIC T6 (-50°C to +40°C) (IP67 BS EN 60529)
Protection Class (Exm):	Exm II 2 GT5 (-20°C to +40°C) (IP65 BS EN 60529)
Electrical Connection (Exd):	M20 x 1.5-6HAS 1721 I.S.O METRIC FINE
Electrical Connection (Exm):	M16 x 1.5-6H AS 1721 I.S.O METRIC FINE + 2m lead
Coil Insulation:	Class H (BS EN 60085) 180°C (E5 type)
Power Rating:	14.5 watts, 19VA

Specifications

Function:	Normally Closed, Energise to open
Ambient Temperature:	-10°C to +40°C
Maximum Viscosity:	115 SSU
Body Material 3/8" - 1":	Brass CZ122
Body Material 1/4" - 2":	Bronze DIN1705
Flange Tube:	Stainless Steel 303
Plunger and Top Stop:	Stainless Steel 430FR
Springs:	Stainless Steel 302
Seal Material (Std):	Nitrile (BunaN)
Connection Type (Std):	BS21
Shading Coil:	Copper

How to use the Flow Chart

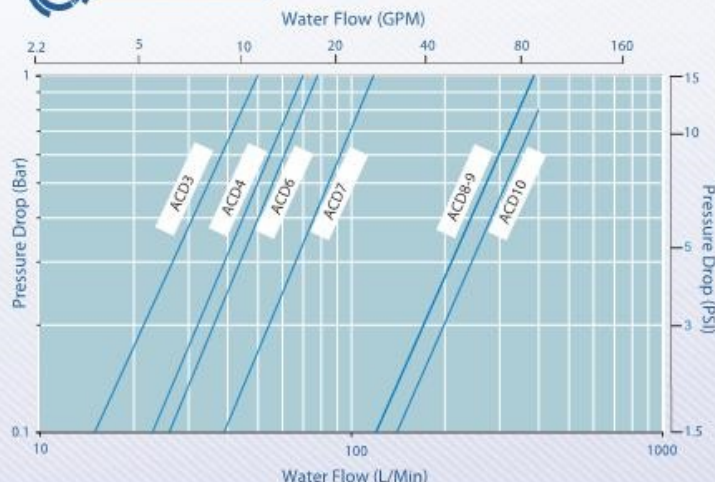
1. Select the required flow.
2. Note the corresponding orifices/model and pressure drop.
3. Using orifices/model, (refer to the Features panel) for technical information

Features

Pipe Size	Kv	OPD (Bar)		P.Max	Orifice	DESC
		AC Voltages	DC Voltages	Bar	mm	
3/8"	3.0	0 - 14	0 - 10.3	50	16.00	ACD3EXD
1/2"	4.2	0 - 14	0 - 10.3	50	16.00	ACD4EXD
3/4"	4.7	0 - 14	0 - 10.3	50	16.00	ACD6EXD
1"	7.1	0 - 14	0 - 10.3	50	20.00	ACD7EXD
1 1/4"	23	0 - 4	-	50	40.00	ACD8EXD
1 1/2"	23	0 - 4	-	50	40.00	ACD9EXD
2"	26	0 - 4	-	50	40.00	ACD10EXD
1 1/4"	23	0.3 - 10	0.3 - 10	50	40.00	ACD8TEXD
1 1/2"	23	0.3 - 10	0.3 - 10	50	40.00	ACD9TEXD
2"	26	0.3 - 10	0.3 - 10	50	40.00	ACD10TEXD
3/8"	3.0	0 - 14	0 - 10.3	50	16.00	ACD3EXM
1/2"	4.2	0 - 14	0 - 10.3	50	16.00	ACD4EXM
3/4"	4.7	0 - 14	0 - 10.3	50	16.00	ACD6EXM
1"	7.1	0 - 14	0 - 10.3	50	20.00	ACD7EXM
1 1/4"	23	0 - 4	-	50	40.00	ACD8EXM
1 1/2"	23	0 - 4	-	50	40.00	ACD9EXM
2"	26	0 - 4	-	50	40.00	ACD10EXM
1 1/4"	23	0.3 - 10	0.3 - 10	50	40.00	ACD8TEXM
1 1/2"	23	0.3 - 10	0.3 - 10	50	40.00	ACD9TEXM
2"	26	0.3 - 10	0.3 - 10	50	40.00	ACD10TEXM

Kv = Flow (M³/hr) of water @ 1bar pressure drop

Flow Data



Morrel International S.r.l.

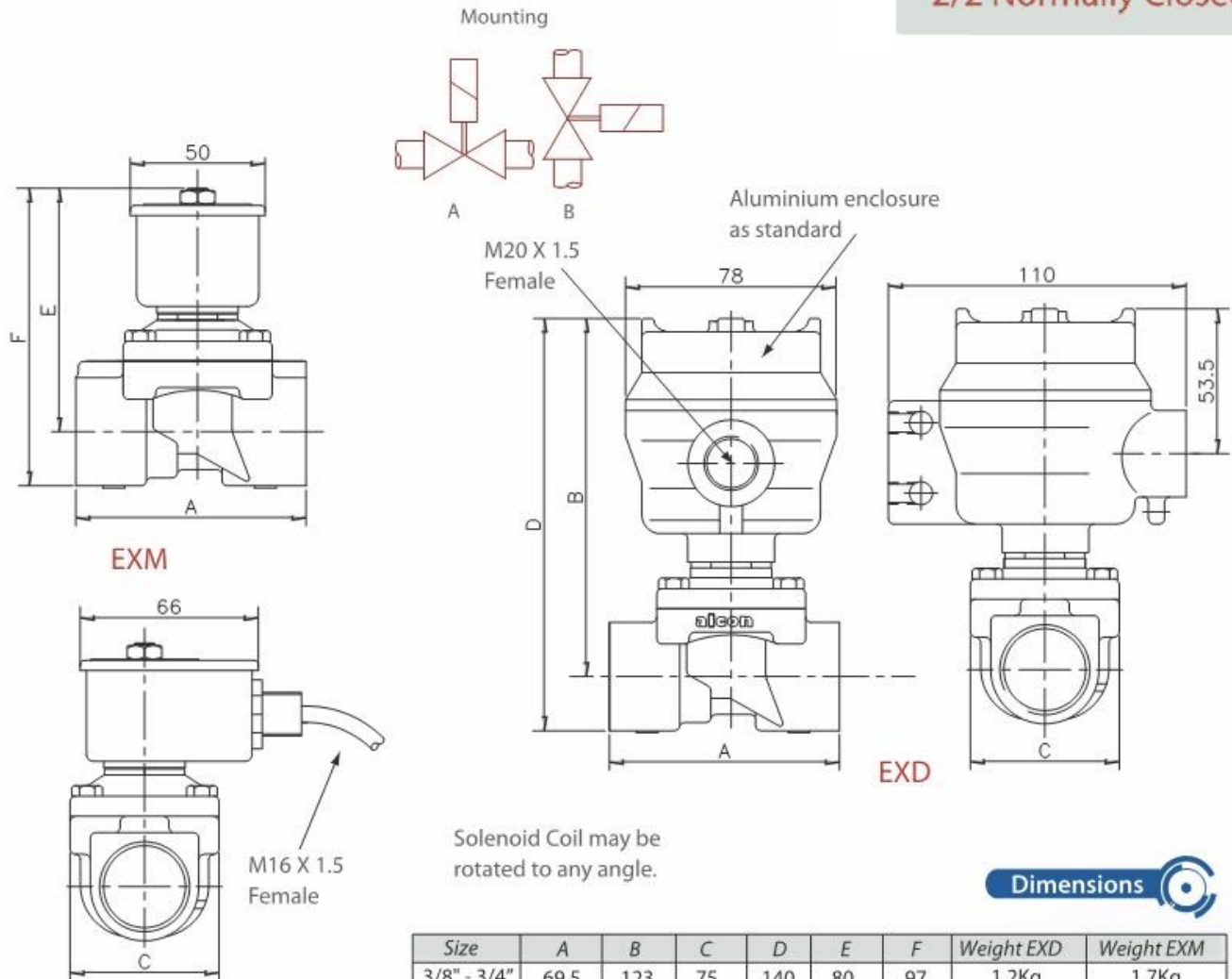
Tel. +39 023560433

Tel. +39 023560452

Fax +39 023562627

E-mail: morrel_int_srl@yahoo.it

ACD Series Exd & Exm 2/2 Normally Closed



Solenoid Coil may be rotated to any angle.

Dimensions

Size	A	B	C	D	E	F	Weight EXD	Weight EXM
3/8" - 3/4"	69.5	123	75	140	80	97	1.2Kg	1.7Kg
1"	69.5	123	75	140	80	97	1.4Kg	1.9Kg
1 1/4" - 2"	137	147	120	180	103	136	3.4Kg	3.9Kg

Dimensions given in mm

Options

Solenoid Enclosure		
Protection Class	Electrical Entry	Ambient
EExd T4 (IP67)	M20 X 1.5 Female	-50°C to +70°C
Exm T5 (IP65)	M16 X 1.5 Male FLYING LEAD	-20°C to +40°C

Body Material
Stainless Steel 316

Seal Material	Media Temperature Range
EPDM (WRAS approved up to 1")	-50°C to +120°C
Viton	-20°C to +150°C

See solenoid enclosures for specific details
CSA and IECEX options
ANSI and PN flange connections available
Mounting bracket option available
Stainless steel valves above 1" refer to ACDLSS

See corrosion reference guide and sealing solutions for material compatibility

Note:

- Tested in accordance with BS EN 12266-1
- PED Compliant

Morrel International S.r.l.

Tel. +39 023560433

Tel. +39 023560452

Fax +39 023562627

E-mail: morrel_int_srl@yahoo.it