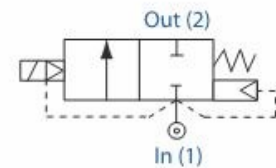


## ACE Series 2/2 Normally Closed



### Features & Benefits

- Pilot driven solenoid valves
- Fully ported flow for various media i.e air, water, oil and inert gas.
- Low power consumption
- Compact and lightweight
- Sizes from 3/8 to 2"
- Diaphragm operated
- Response time up to 3/4" 15-60ms
- Response time up to 2" 60-120ms



### Electrical Characteristics

Coil Voltage DC (=):	12v, 24v, 110v
Coil Voltage AC 50Hz (~):	24v, 110v, 120v, 230v
Coil Voltage AC 60Hz (~):	24v, 110v, 120v, 220v
Voltage tolerance:	+10% or -10%
Duty Cycle:	100% ED
Protection Class (Std):	IP65 (BS EN 60529) (plug supplied as standard)
Electrical Connection (Std):	PG9 Din Connector DIN 43650/ISO 4400 (EN 175301-803) Form 'A'
Coil Insulation:	Class F (BS EN 60085) 155°C
Power Rating:	22VA, 13 watts

### Specifications

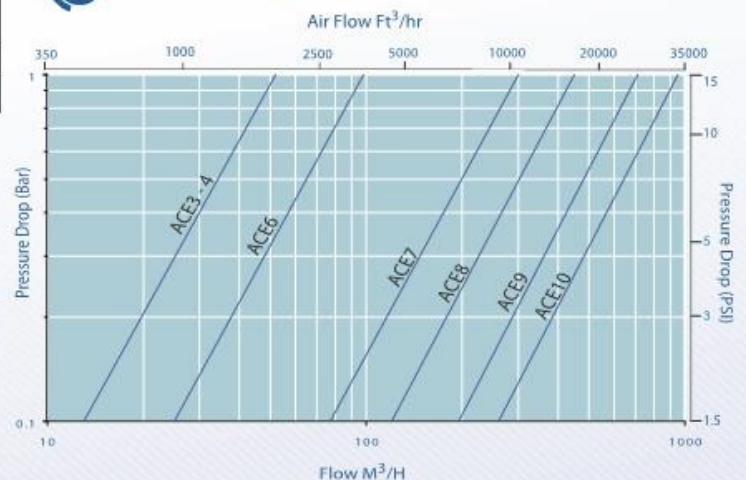
Function:	Normally Closed, Energise to Open
Ambient Temperature:	-10°C to +50°C
Maximum Viscosity:	115 SSU
Body Material (Std):	Brass CZ122
Flange Tube:	Stainless Steel 303
Plunger and Top Stop:	Stainless Steel 430FR
Springs:	Stainless Steel 302
Seal Material (Std):	Nitrile (BunaN)
Connection type (Std):	BSP
Shading Coil:	Copper

### Features

Pipe Size	Qn	OPD (Bar)		P.Max Bar	Orifice mm	Cat No.
		AC Voltages	DC Voltages			
3/8"	833	0.5 - 13	0.5 - 13	17	13.00	ACE3
1/2"	833	0.5 - 13	0.5 - 13	17	13.00	ACE4
3/4"	1583	0.5 - 13	0.5 - 13	17	20.00	ACE6
1"	5001	0.5 - 13	0.5 - 13	17	25.00	ACE7
1 1/4"	7501	0.5 - 13	0.5 - 13	17	35.00	ACE8
1 1/2"	11669	0.5 - 13	0.5 - 13	17	40.00	ACE9
2"	15003	0.5 - 13	0.5 - 13	17	50.00	ACE10

Qn = Flow of air in litres/min @ 20°C. Input 6 bar Δp of 1 bar

### Flow Data



#### How to use the Flow Chart

1. Select the required flow.
2. Note the corresponding orifices/model and pressure drop.
3. Using orifices/model, (refer to the Features panel) for technical information

**Morrel International S.r.l.**

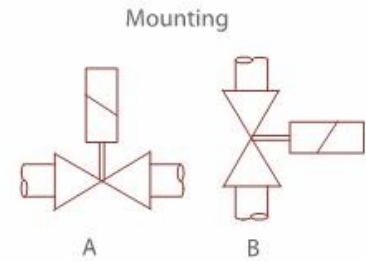
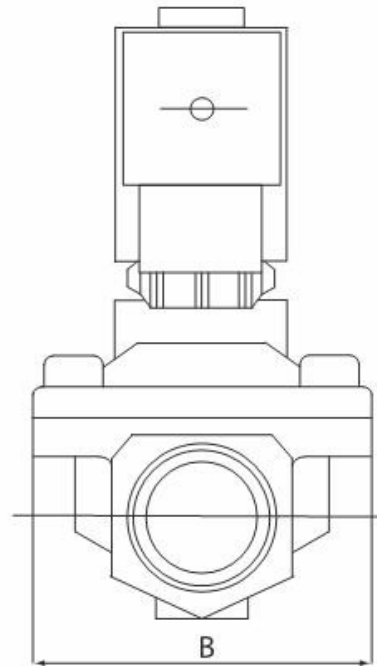
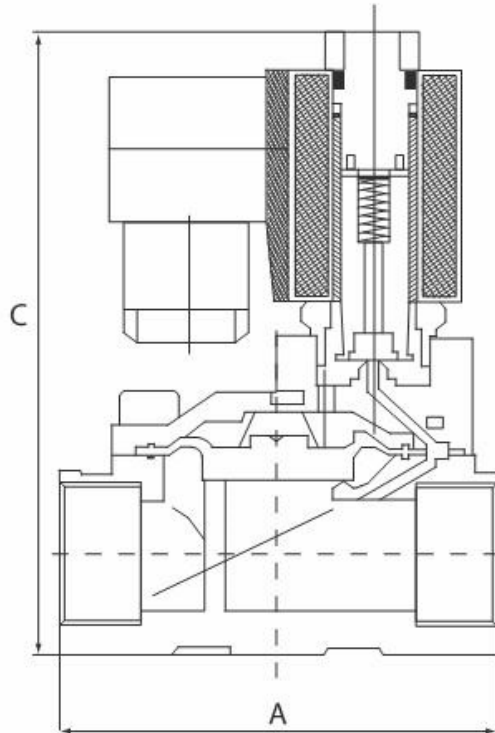
Tel. +39 023560433

Tel. +39 023560452

Fax +39 023562627

E-mail: morrel\_int\_srl@yahoo.it

## ACE Series 2/2 Normally Closed



### Dimensions

Size	A	B	C	Weight (Kg)
3/8"	66	48	112	0.80
1/2"	66	48	112	0.70
3/4"	75	58	118	0.90
1"	96	70	131	1.40
1 1/4"	131	96	146	2.80
1 1/2"	131	96	149	2.70
2"	165	120	167	4.80

### Options

Body Material
Stainless Steel 316

Seal Material	Media Temperature Range
EPDM	-50°C to +120°C
Viton	-20°C to +150°C

Dimensions given in mm

See corrosion reference guide and sealing solutions for material compatibility

LED power indicator option

**Morrel International S.r.l.**

Tel. +39 023560433

Tel. +39 023560452

Fax +39 023562627

E-mail: morrel\_int\_srl@yahoo.it