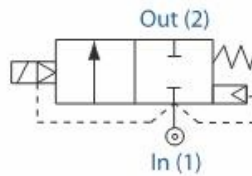


## ACG Series 2/2 Normally Closed



### Features & Benefits

- Piston operated
- Compact Valve Design
- Choice of Valve Body Material and Seals
- Exd and Exm Options
- Choice of electrical connections
- Valve operation is not affected by mounting position
- Response time 5-25ms

### Electrical Characteristics

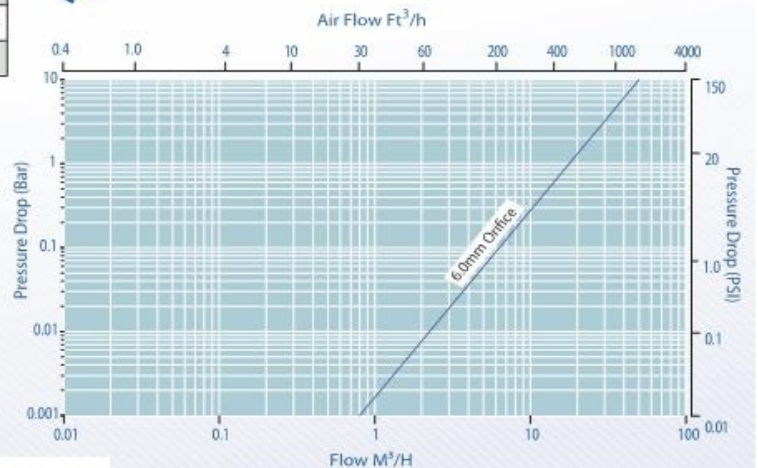
Available Voltage DC (=):	12v, 24v, 110v
Available Voltage AC 50Hz (-):	24v, 110v, 120v, 230v
Available Voltage AC 60Hz (-):	24v, 120v, 220v
Voltage tolerance:	+10% or -10%
Duty Cycle:	100% ED
Protection Class (Std):	IP65 (BS EN 60529) (plug supplied as standard)
Electrical Connection (Std):	PG9 Din Connector DIN 43650/ISO 4400 (EN 175301-803) Form 'A'
Coil Insulation:	Class H (BS EN 60085) 180°C (E5 type)
Power Rating:	19VA, 14.5 watts

### Features

Pipe Size	Qn	OPD (Bar)		P.Max	Orifice	Cat No.
		AC Voltages	DC Voltages	Bar	mm	
1/8"	300	0.1 - 15	0.1 - 12	50	6.0	ACG1
1/4"	300	0.1 - 15	0.1 - 12	50	6.0	ACG2

Qn = Flow of air in litres/min @ 20°C. Input 6 bar Δp of 1 bar

### Flow Data



#### How to use the Flow Chart

1. Select the required flow.
2. Note the corresponding orifices/model and pressure drop.
3. Using orifices/model, (refer to the Features panel) for technical information

### Specifications

Function:	Normally Closed, Energise to open
Ambient Temperature:	-10°C to +50°C
Maximum Viscosity:	115 SSU
Body Material (Std):	Brass CZ122
Flange Tube:	Stainless Steel 303
Plunger and Top Stop:	Stainless Steel 430FR
Springs:	Stainless Steel 302
Seal Material (Std):	Nitrile (BunaN)
Connection Type (Std):	BS21
Shading Coil:	Copper

**Morrel International S.r.l.**

Tel. +39 023560433

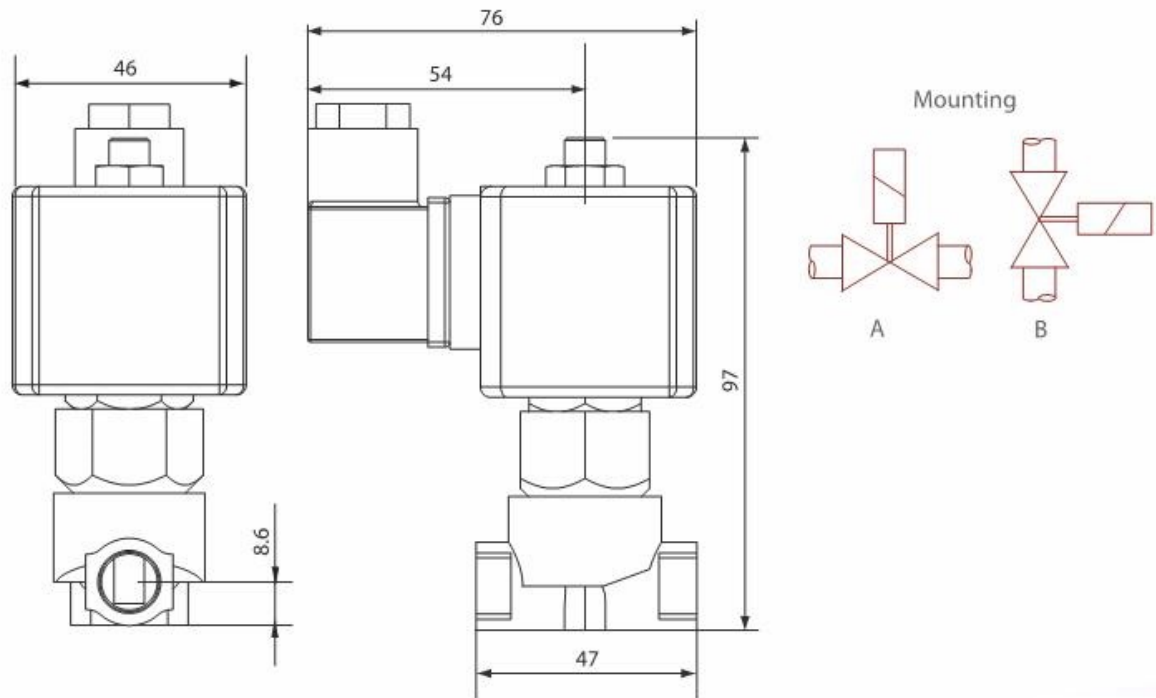
Tel. +39 023560452

Fax +39 023562627

E-mail: morrel\_int\_srl@yahoo.it

## ACG Series 2/2 Normally Closed

### Dimensions



#### Note:

- Tested in accordance with BS EN 12266-1
- PED Compliant
- Dimensions given in mm

Solenoid Coil may be rotated to any angle.

### Options

Body Material
Stainless Steel 316

Seal Material	Media Temperature Range
EPDM	-50°C to +120°C
Viton	-20°C to +150°C
PTFE	-200°C to +180°C

Mounting Tappings option  
Mounting Bracket Option Available  
LED power indicator option

See corrosion reference guide and sealing solutions for material compatibility

#### Morrel International S.r.l.

Tel. +39 023560433

Tel. +39 023560452

Fax +39 023562627

E-mail: morrel\_int\_srl@yahoo.it