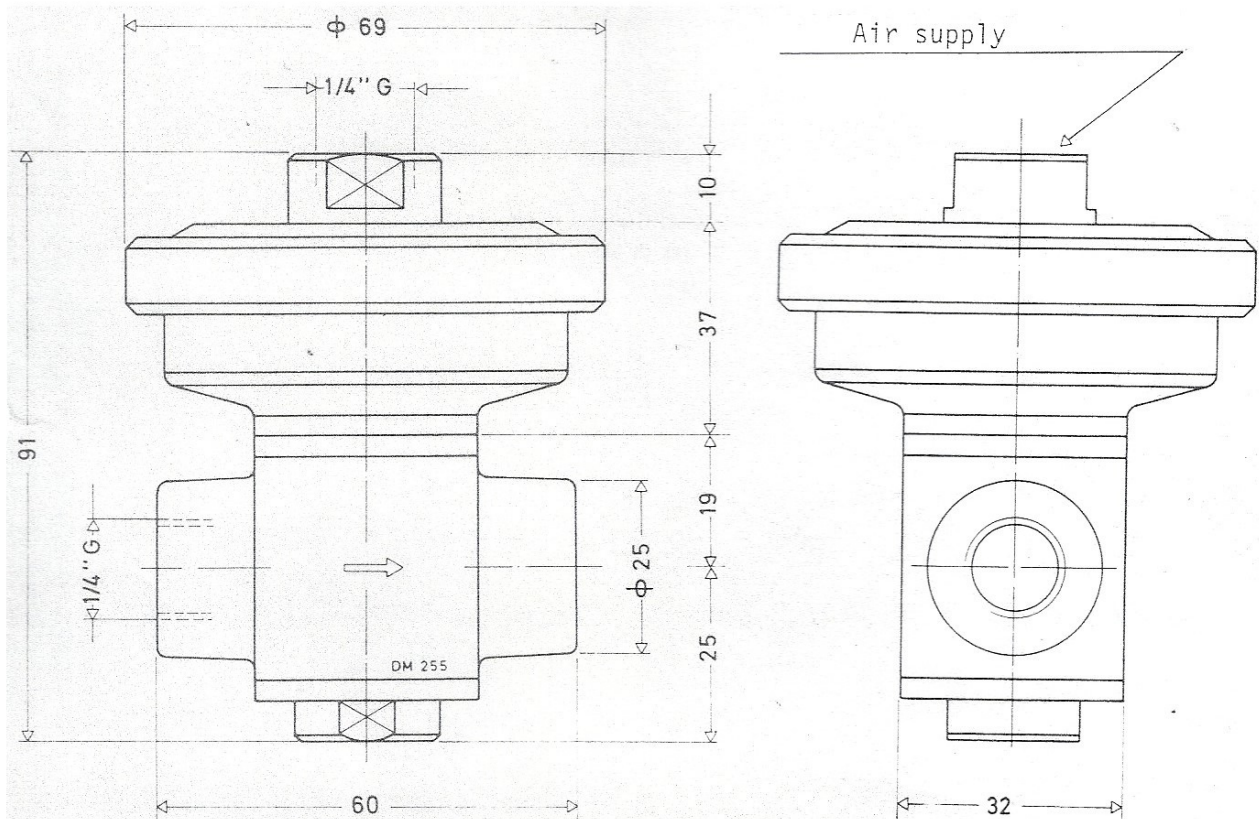


DM 255 - 256 - 257

Overall dimensions

Table 106

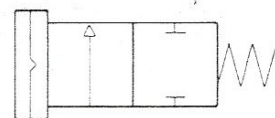


Supply air pressure  $1 \div 10$  BAR

Max ratio between operating pressure and air supply pressure 15:1

MODEL	MAX OPERATING PRESSURE BAR
DM 255	12
DM 256	25
DM 257	70

Cetop symbol

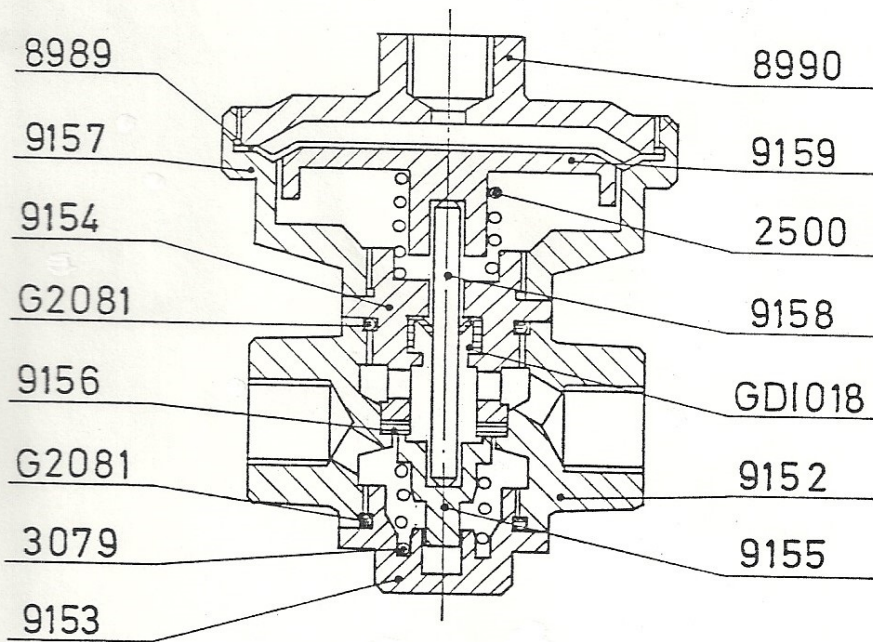


Brass body

Stainless steel trim

Buna-N PTFE Gaskets

Light alloy pneumatic operator



Morrel International S.r.l.  
 Tel. +39 02350433  
 Tel. +39 02350452  
 Fax +39 02352627  
 Email: morrel\_int\_srl@yahoo.it

*Morrel*

**Nomenclature**

9152	Body	9157	Actuator bottom
9155	Disk	9159	Diaphragm plate
3079	Disk spring	8989	Diaphragm
9153	Bottom seat	8990	Actuator cover
9154	Bonnet	2500	Plate spring
9156	Resilient insert	G2081	O-Ring seal
9158	Actuator pin	GDI018	Sealing gasket