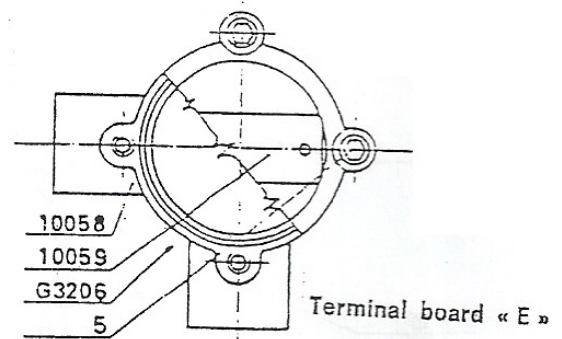
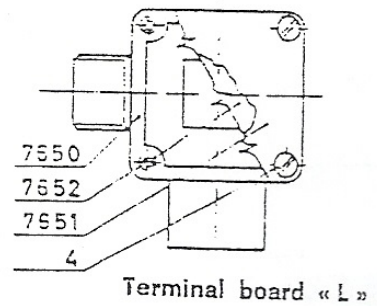
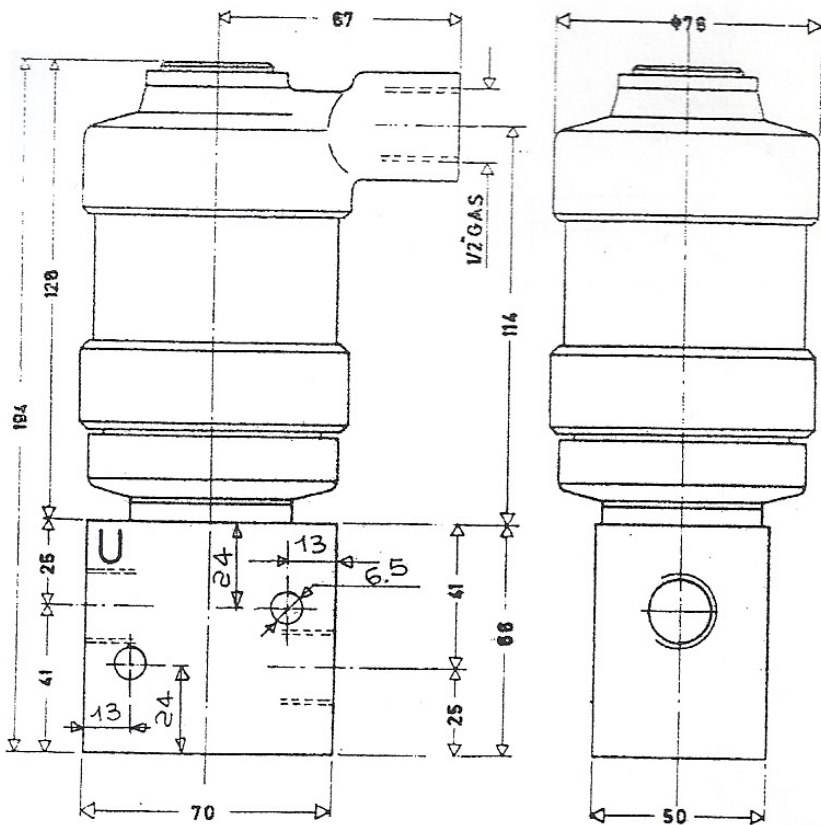


DIRECT ACTING TWO WAY SOLENOID VALVES

MODEL E0/2150

Tab. 240



Specifications

Solenoid valves mod. E0/2150 are specifically designed for oil and are available for both normally closed (CQDS) and normally open (AQDS) operation. These direct acting valves are packless and their rugged construction and powerful solenoid makes them suitable for heavy operating conditions. Body and internal parts are stainless steel. Operating pressure 0 ± 30 Kg/cm². Orifice size 150 mm². Connections 1/2" NPT F. Solenoid coil wound double - enamel Class H wire absorbed power 28 W. 12 to 380 V voltage. 10% tolerance.

Due to their particular design these valves can only operate with direct current. In case of alternating current a terminal board can be provided which includes a bridge rectifier and a recycling diode. Model R2/L for normal and waterproofing sealing R2/E for EEXD (CESI certificate AD.82-204)

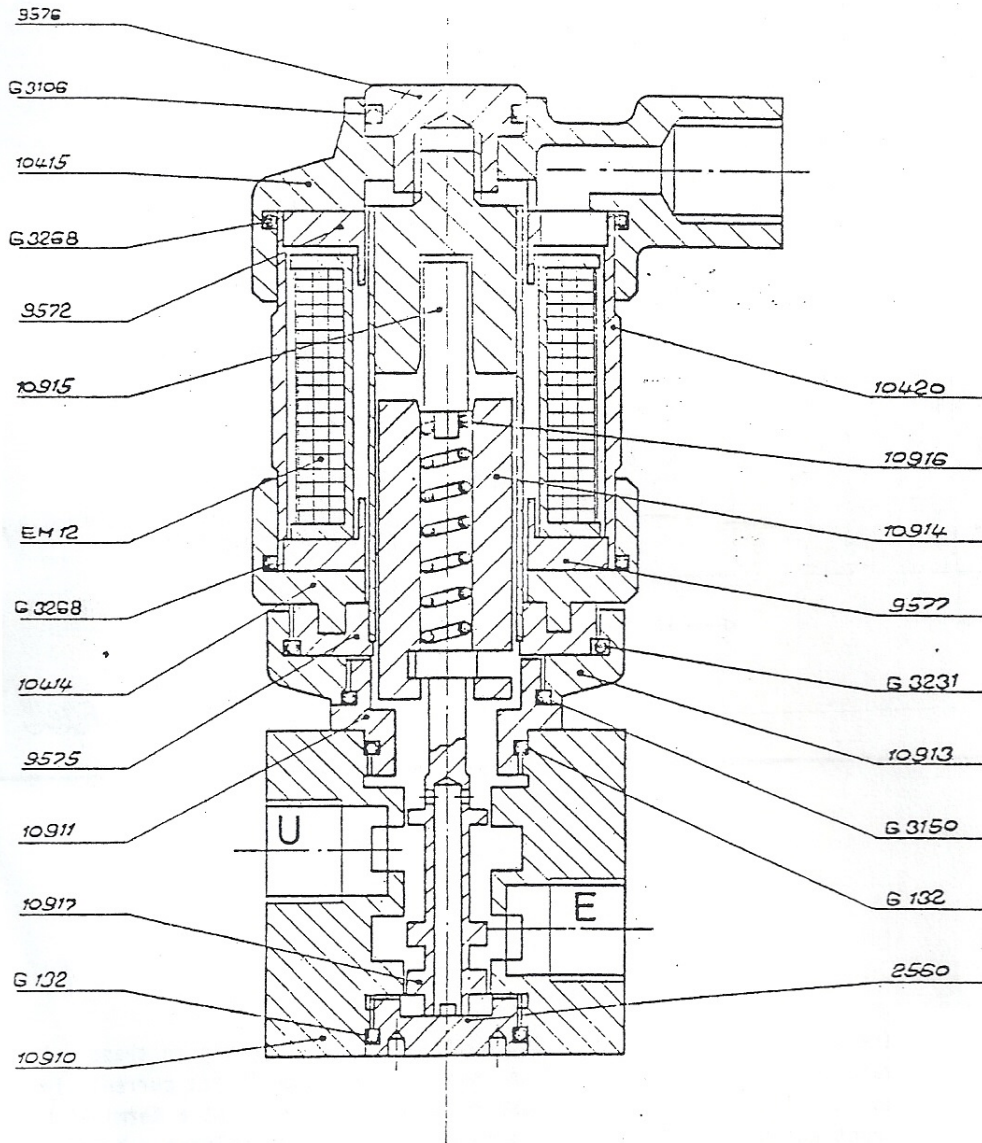
Optionals

IP-55 waterproof solenoid enclosure.
EEXD explosion - proof solenoid enclosure (CEI standards 50018 - 50014) CESI certificate AD.82-203.

DIRECT ACTING TWO WAY SOLENOID VALVES

MOD. E_f /2150/AQDS

DIS.N°11031



Catalog code of valves with brass body becomes: CZOS - AZOS

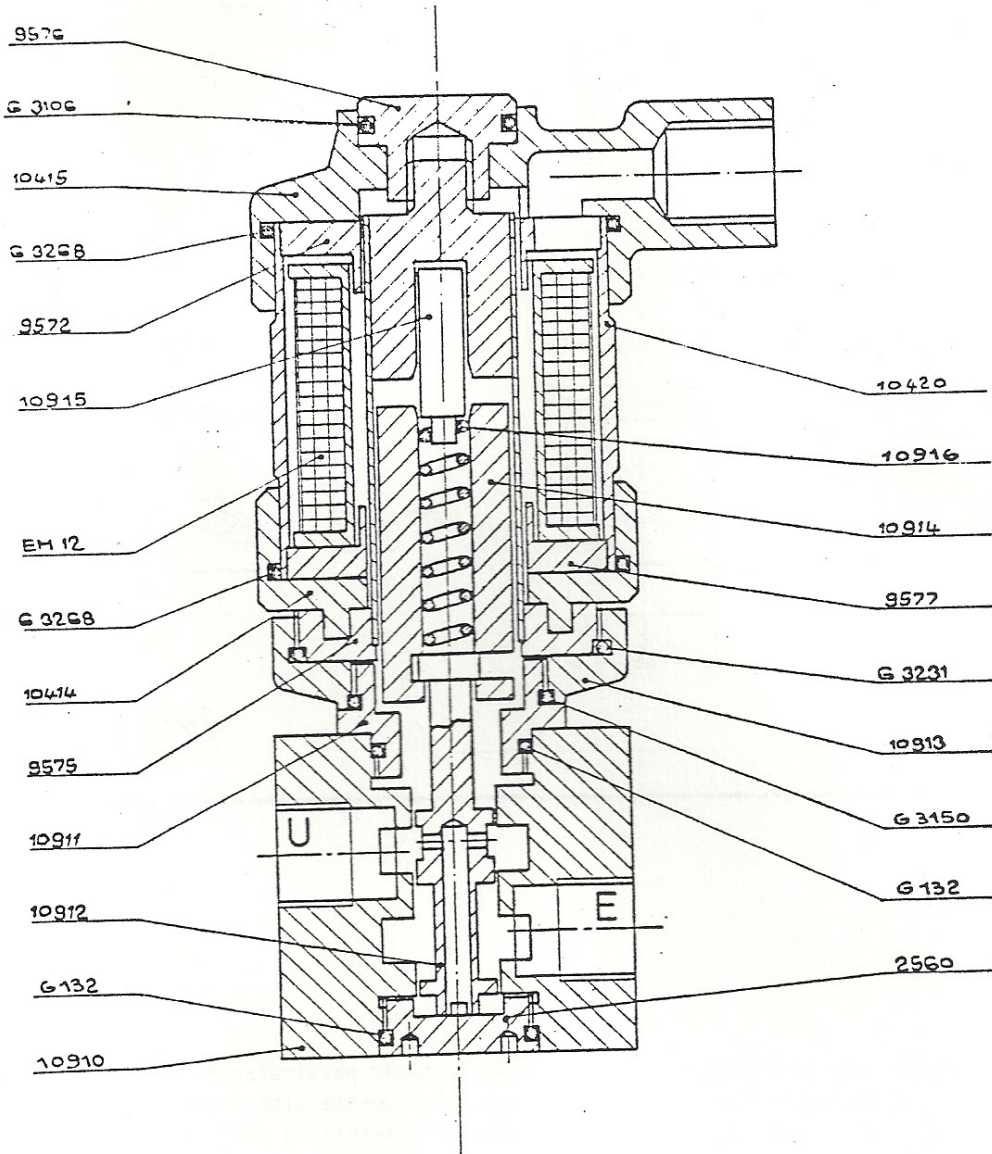
Nomenclature

10910	Body	10420	Skirt
10917	Stem	10415	Electromagnet top cover
2560	Stopper plug	9572	Top ring
10911	Spacer	9576	Electromagnet locking plug
10913	Electromagnet yoke	EM12	Coil
9575	Core guide	G132	OR - Seal
10914	Moving core	G3150	OR - Seal
10915	Pin	G3231	OR - Seal
10916	Spring	G3268	OR - Seal
10414	Electromagnet bottom cover	G3106	OR - Seal
9577	Bottom ring		

DIRECT ACTING TWO WAY SOLENOID VALVES

MOD. EO/2150/CQDS

DIS.N° 11030



Catalog code of valves with brass body becomes: CZOS - AZOS

Nomenclature

10910	Body	10420	Skirt
10912	Stem	10415	Electromagnet top cover
2560	Stopper plug	9572	Top ring
10911	Spacer	9576	Electromagnet locking plug
10913	Electromagnet yoke	EM12	Coil
9575	Core guide	G132	OR - Seal
10914	Moving core	G3150	OR - Seal
10915	Pin	G3231	OR - Seal
10916	Spring	G3268	OR - Seal
10414	Electromagnet bottom cover	G3106	OR - Seal
9577	Bottom ring		