

FACHL Series 2/2 Normally Closed (Manual Reset)

Features & Benefits

- Heavy Duty Valve Design
- For use with Fire Protection Systems
- Manual Lever Reset Operation
- No voltage Release Safety Feature
- AC version fitted with DC Internal Rectifier
- Designed for Gas, Oil and Liquids
- Suitable for 1st, 2nd and 3rd Gas Families

Electrical Characteristics

Coil Voltage DC (=):	12v, 24v, 110v
Coil Voltage AC 50Hz (~):	24v, 110v, 120v, 230v
Coil Voltage AC 60Hz (~):	24v, 110v, 120v, 220v
Voltage tolerance:	+10% or -10%
Duty Cycle:	100% ED
Protection Class (Std):	IP65 (BS EN 60529) (plug supplied as standard)
Electrical Connection (Std):	PG9 Din Connector DIN 43650/ISO 4400 (EN 175301-803) Form 'A'
Coil Insulation:	Class H (BS EN 60085) 180°C (E5/550 Type)
Power:	14.5 Watts, 22 Watts, 19VA

Specifications

Function:	Normally Close, Energise and operate lever to open
Ambient Temperature:	-10°C to +50°C
Maximum Viscosity:	115 SSU
Body Material (Std):	Brass CZ122
Body Material ¾" - 3":	Bronze DIN1705
Body Material 3"+:	Cast Iron Coated
Flange Tube:	Stainless Steel 303
Plunger and Top Stop:	Stainless Steel 430FR
Springs:	Stainless Steel 302
Seal Material (Std):	Nitrile (BunaN)
Connection Type (Std):	BS21

Note: Consult factory for flow figures for valves above 2½"

How to use the Flow Chart

1. Select the required flow.
2. Note the corresponding orifices/model and pressure drop.
3. Using orifices/model, (refer to the Features panel) for technical information

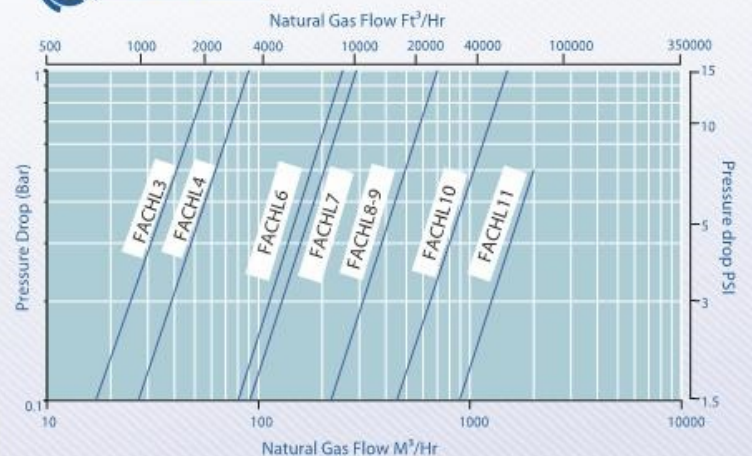


Features

Pipe Size	Orifice mm	Kv	OPD (BAR)	P.Max (Bar)	Power Watts	Weight Kg	Cat No.
3/8"	16	2	0 - 2.0	16	14.5	1.40	FACHL3
1/2"	16	3	0 - 2.0	16	14.5	1.40	FACHL4
3/4"	19	8	0 - 2.0	16	14.5	1.90	FACHL6
1"	22	9.5	0 - 2.0	16	14.5	1.90	FACHL7
1¼"	38	23	0 - 0.35	16	14.5	3.10	FACHL8
1½"	38	23	0 - 0.35	16	14.5	3.10	FACHL9
2"	51	47	0 - 0.35	16	14.5	3.70	FACHL10
2½"	76	64	0 - 0.2	16	14.5	7.80	FACHL11
3"	76	77	0 - 0.2	16	14.5	7.80	FACHL12
4"	102	167	0 - 0.8	16	22	40.50	*FACHL13
6"	152	331	0 - 0.3	16	22	70.50	*FACHL15
8"	200	496	0 - 0.2	16	22	150.00	*FACHL17
10"	250	918	0 - 0.2	16	22	205.00	*FACHL19

* These valve are all flanged connections as standard PN10/16
Kv = Flow rate measured with differential pressure at 2.5mbar

Flow Data



Morrel International S.r.l.

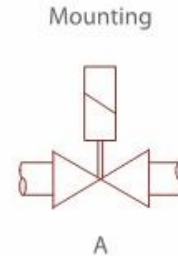
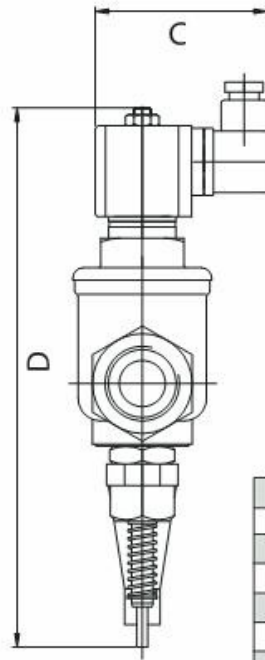
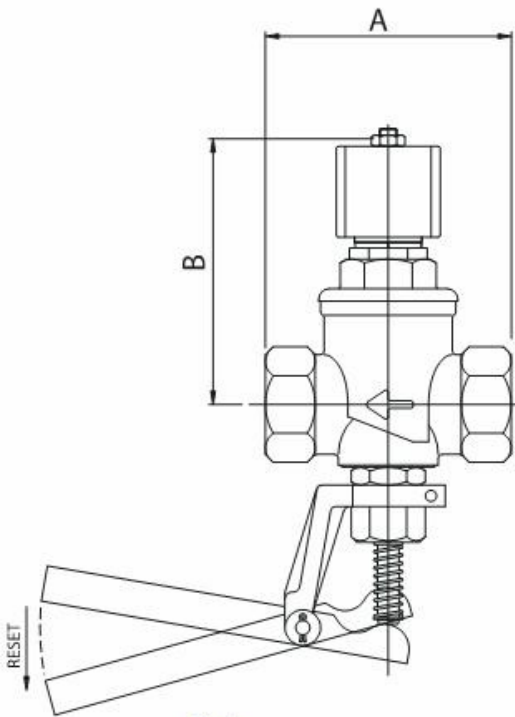
Tel. +39 023560433

Tel. +39 023560452

Fax +39 023562627

E-mail: morrel_int_srl@yahoo.it

FACHL Series
2/2 Normally Closed
(Manual Reset)



Solenoid cover and reset assembly may be rotated to any angle.

Dimensions

Size	A	B	C	D
3/8" - 1/2"	70	100	75 inc plug	184
3/4" - 1"	44	70	75 inc plug	196
1 1/4" - 1 1/2"	63	76	75 inc plug	221
2"	63	76	75 inc plug	233
2" - 2 1/2"	260	137	75 inc plug	273
3"	197	137	75 inc plug	273
4"	292	285	190	577
6"	356	330	260	686
8"	495	355	310	716
10"	623	380	450	850

Dimensions given in mm

Note:

- PED Compliant
- On AC supply where media is above 80°C a separate rectifier is to be used. If the inlet pressure on the seat area exceeds 18kg the inlet pressure must be rectified to open the valve

Options

Solenoid Enclosure		
Protection Class	Electrical Entry	Ambient
EExd T6 (IP67) up to 1"	M20 X 1.5 Female	-50°C to +40°C
EExd T4 (IP67) up to 1"	M20 X 1.5 Female	-50°C to +70°C
Exm T5 (IP65) up to 1" (24 VDC Only)	M16 X 1.5 Male FLYING LEAD	-20°C to +40°C

Body Material
Stainless Steel 316

Seal Material	Media Temperature Range
EPDM	-50°C to +120°C
Viton	-20°C to +150°C
PTFE	-200°C to +180°C

See corrosion reference guide and sealing solutions for material compatibility

See solenoid enclosures for specific details

LED power indicator option

Morrel International S.r.l.

Tel. +39 023560433

Tel. +39 023560452

Fax +39 023562627

E-mail: morrel_int_srl@yahoo.it