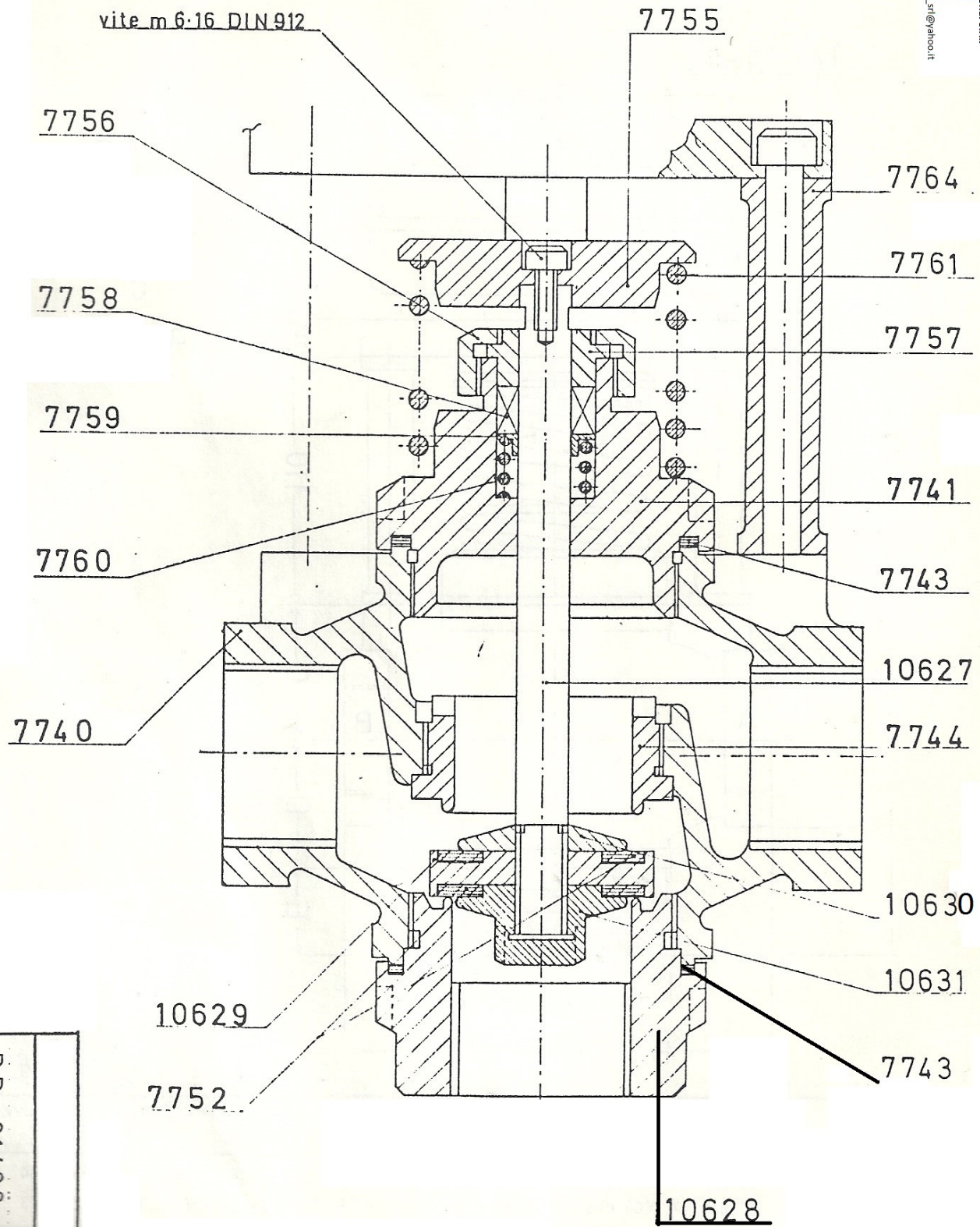


OPERATING MODE

Model	CONNECTION THREADS	NET ORIF. SURFACE	KV	OPERATING PRESS		OVERALL DIMENSIONS						
				min	max	A	B	C	D	E	F	G
DP/31400	1 1/2" gas	1400 mmq	310	2	10	∅ 70	85	52	52	35	344	91
DP/32000	2" gas	2000 mmq	600	2	10	∅ 86	95	63	63	42	373	100

Rating 40 BAR

FUNCTION: NORMALLY OPEN
FUNCTION: FOR NORMALLY CLOSED 0-3 BAR



FOR THE UPPER PART SEE TABLE 110A

DP	31400	
SCALE	2:1	10626