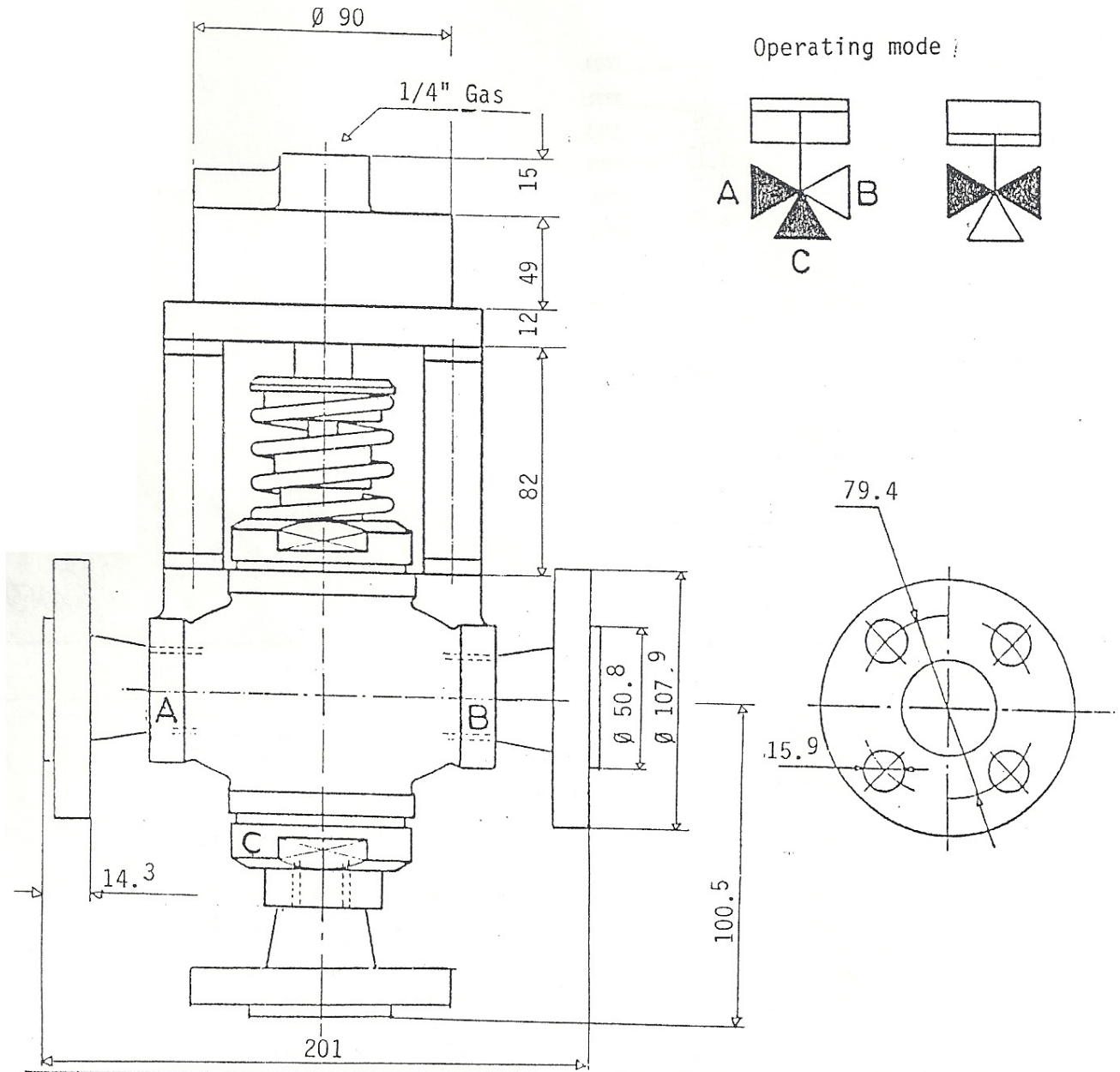


Model DP/3500 Flanges ANSI 150 RF

Table 111 / L



Model	Connection Threads	Net orifice Surface	KV	Operating Pressure
				Min. Kg/sq.cm. Max. x

DP/3500	ANSI 150 RF	500	150	2	8
---------	-------------	-----	-----	---	---

