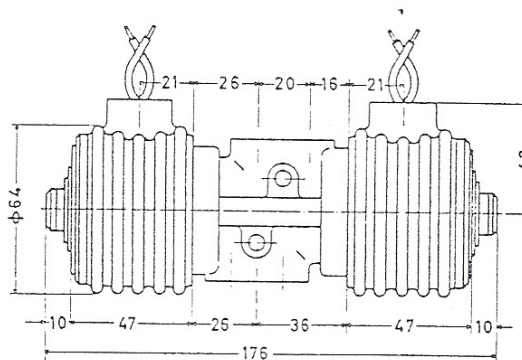
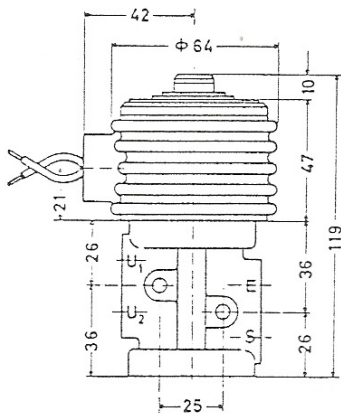


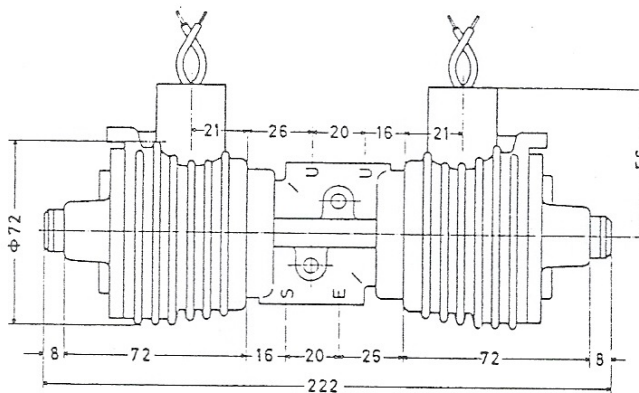
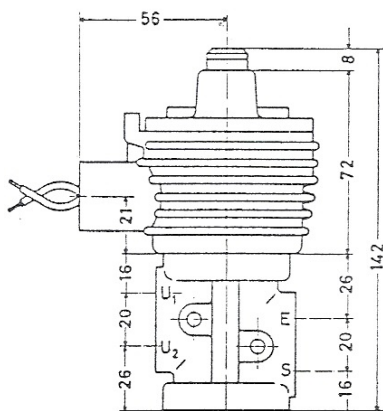
DIRECT ACTING FOUR WAY SOLENOID VALVES

Model E/407A - EI/407A with STD enclosure

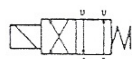
Table 401



Model E/407A and EI/407A with IP55 and EEXD enclosures



Operating mode



E/407A



EI/407A

Specifications

Solenoid valves Model E-EI/407-A are used to control small, double-action pneumatic servomotors operating at a maximum pressure of 10 BAR. These direct-action valves operate also without pressure. They accept both lubricated and dry air, and are therefore particularly suitable for air-operated instrument circuits and where lubricated air cannot be employed, like installations subject to low ambient temperature.

By plugging one of their two outlets, these valves can be used as universal three-way valves. This device particularly advantageous with dual solenoid valves, because one obtains a bistable three-way valve.

Construction

Forged brass or stainless steel (AISI 316) body, stainless steel spring and moving parts, Viton or Buna-N seals.

Electrical characteristics

Electromagnet coil as per CEI Standards. Operating voltage 6 to 220 Volts (DC) or 12 to 500 Volts (AC) at 50 or 60 Hz. Tolerance on operating voltage ±10%. Adsorbed power 14 Watts DC, 16 VA (50 VA inrush) AC. Electrical connections 1/2" gas; 1/2" GK UNI 6125 when explosion-proof.

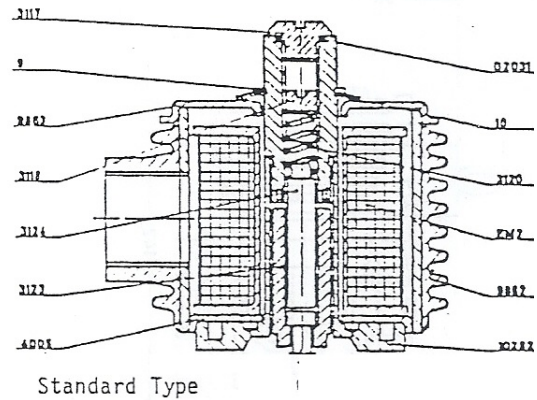
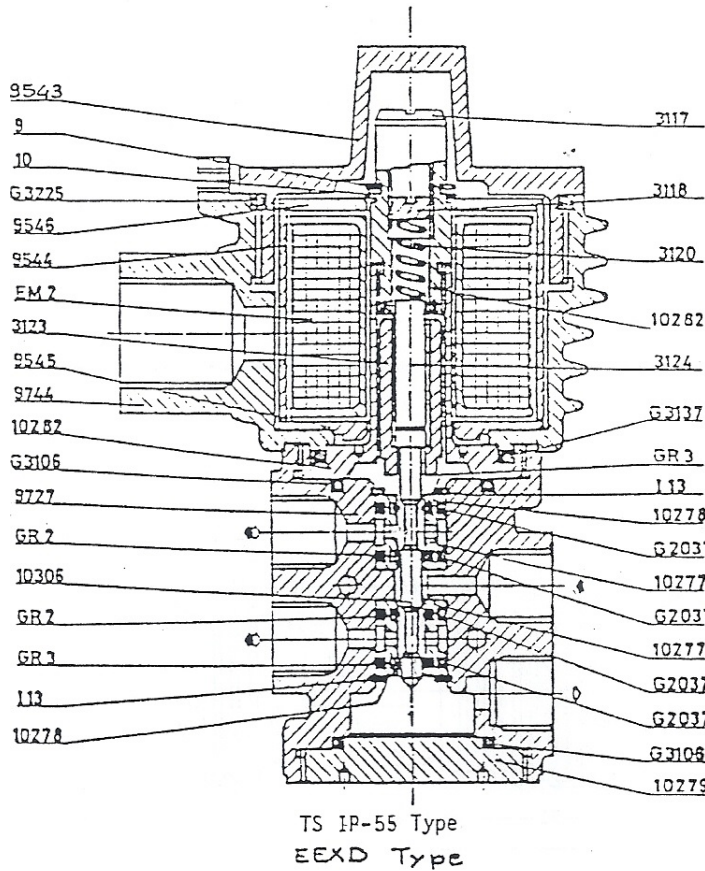
Optionals

Stainless steel valve body.
IP55 or IP65 waterproof solenoid enclosure.
Explosion-proof (Cenelec Standards 50014-50018 for IIB T5) solenoid enclosure (model EM2-A) with CEI Certificate AD.82-203.
Special seals for low-temperature operation.
Manual control with or without fixing device.

DIRECT ACTING FOUR WAY SOLENOID VALVES

Model E/407A

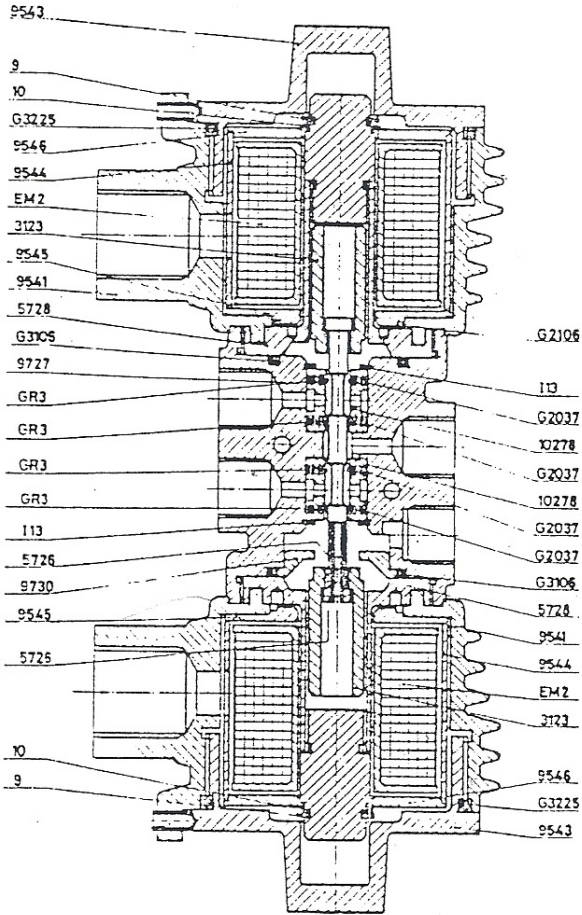
Table 9756



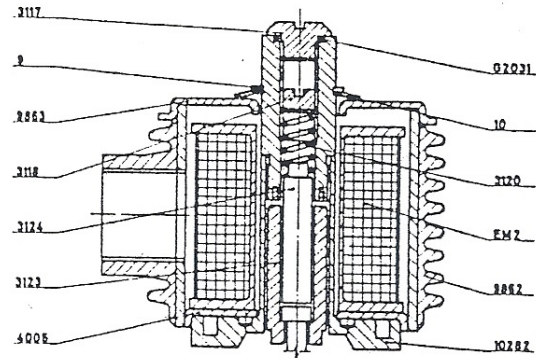
10	Spring washer	9544	TS and EEXD inside jacket
10277	R2 Inside bushings	9861	STD inside jacket
10278	R3 Inside bushings	9545	TS and EEXD inside bottom cover
10279	Bottom plug	4005	STD coil inside bottom cover
10286	Core guide EEXD	9546	TS and EEXD inside top cover
10282	Core guide TS-STD	9863	STD housing cover
10289	Stem driving pin EEXD	9727	Body
3124	Stem driving pin STD-TS	EK12	Coil
10306	Stem	G121	O-Ring seal
3117	Plug	G2037	O-Ring seal
3118	Spring adjusting screw	G2106	O-Ring seal
3120	Spring	G3137	O-Ring seal
3123	Core	G3106	O-Ring seal
9	Fastener	G3225	O-Ring seal
9541	EEXD Housing	G3226	O-Ring seal
9744	TS Housing	GR2	O-Ring seal
9862	STD Housing	GR3	O-Ring seal
9542	EEXD Housing cover	G2031	O-Ring seal
9543	TS Housing cover	I13	Seeger

MODEL EI/407 - A

Table 9757



TS IP-55 Type
EEXD Type



Standard Type

Nomenclatur

9727	Body	9863	STD housing cover
10278	R3 inside bushings	4005	STD coil inside bottom cover
5725	Stem	9543	TS housing cover
5726	Stem part	10	Spring washer
9730	Core retainer	14	UNI 5927 M 4x6 screw
5727	Core guide STD-TS	9	Fastener
5728	Core guide EEXD	113	Seeger
3123	Core	EM2	Coil
9544	TS and EEXD inside jacket	G3106	O-Ring seal
9545	TS and EEXD inside bottom cover	GR3	O-Ring seal
9546	TS and EEXD inside top cover	G2037	O-Ring seal
9744	TS housing	G3225	O-Ring seal
9541	EEXD housing	G3137	O-Ring seal
9862	STD housing	G2106	O-Ring seal