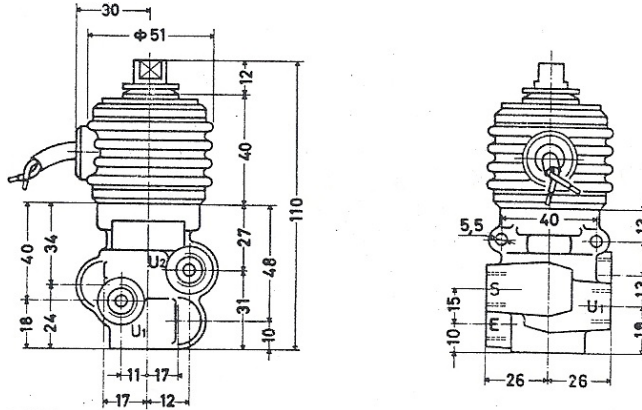


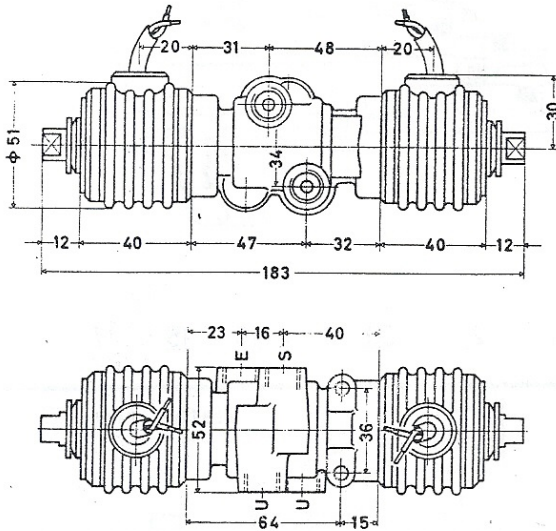
PILOT CONTROLLED FOUR-WAY SOLENOID VALVES

Model E/420-D with STD enclosure

Table 403

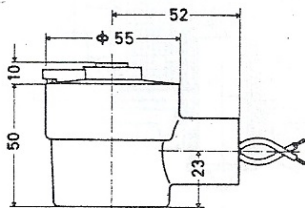


Model EI/420-D with STD enclosure

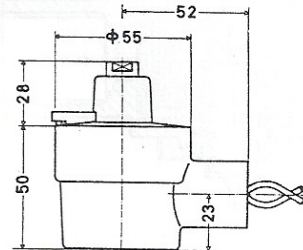


Please note that when the solenoids are operated by impulses, it is advisable to install the valve horizontally.

Enclosure IP55 - IP65



Enclosure EEXD



Specifications

Solenoid valves model E-EI/420D are mainly utilized for actuating double-effect pneumatic cylinders by mean of lubricated air at operating pressure between 1 and 10 BAR. By plugging one of the two outlets

these valves can be utilized like 3-way valves for actuating single-effect cylinders or diaphragm actuated control valves.

Construction

Forged brass body, chromium plated steel and brass internal parts, Buna-N O-Ring seals. STD-Solenoid protection class IP-40

Electrical characteristics

Solenoid coil according to CEI standards, made with two coat enameled Class H wire. Available for direct or alternating current voltage from 12 to 380 V, ± 10% tolerance. Absorbed power 10 W in direct current, 14 VA in alternating current (42 VA inrush).

Optionals

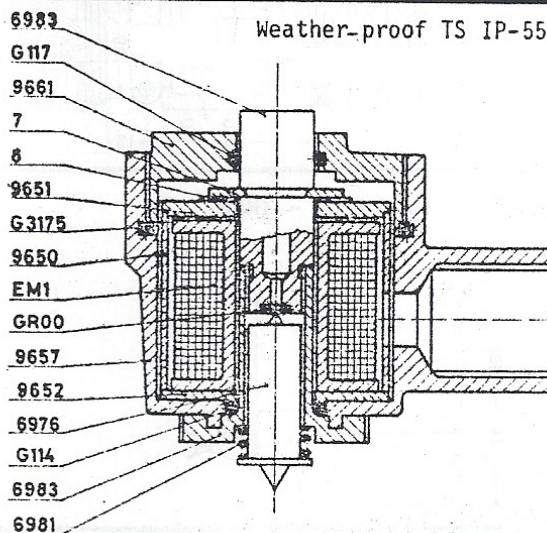
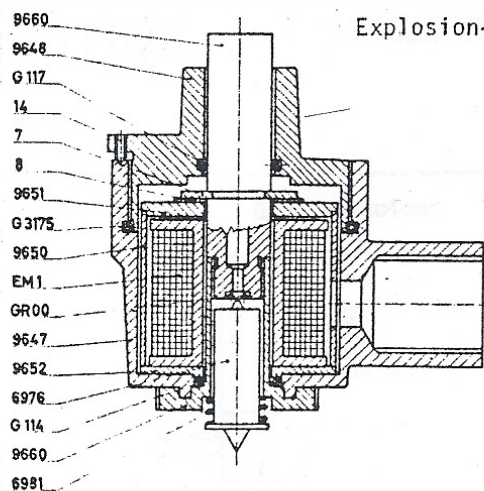
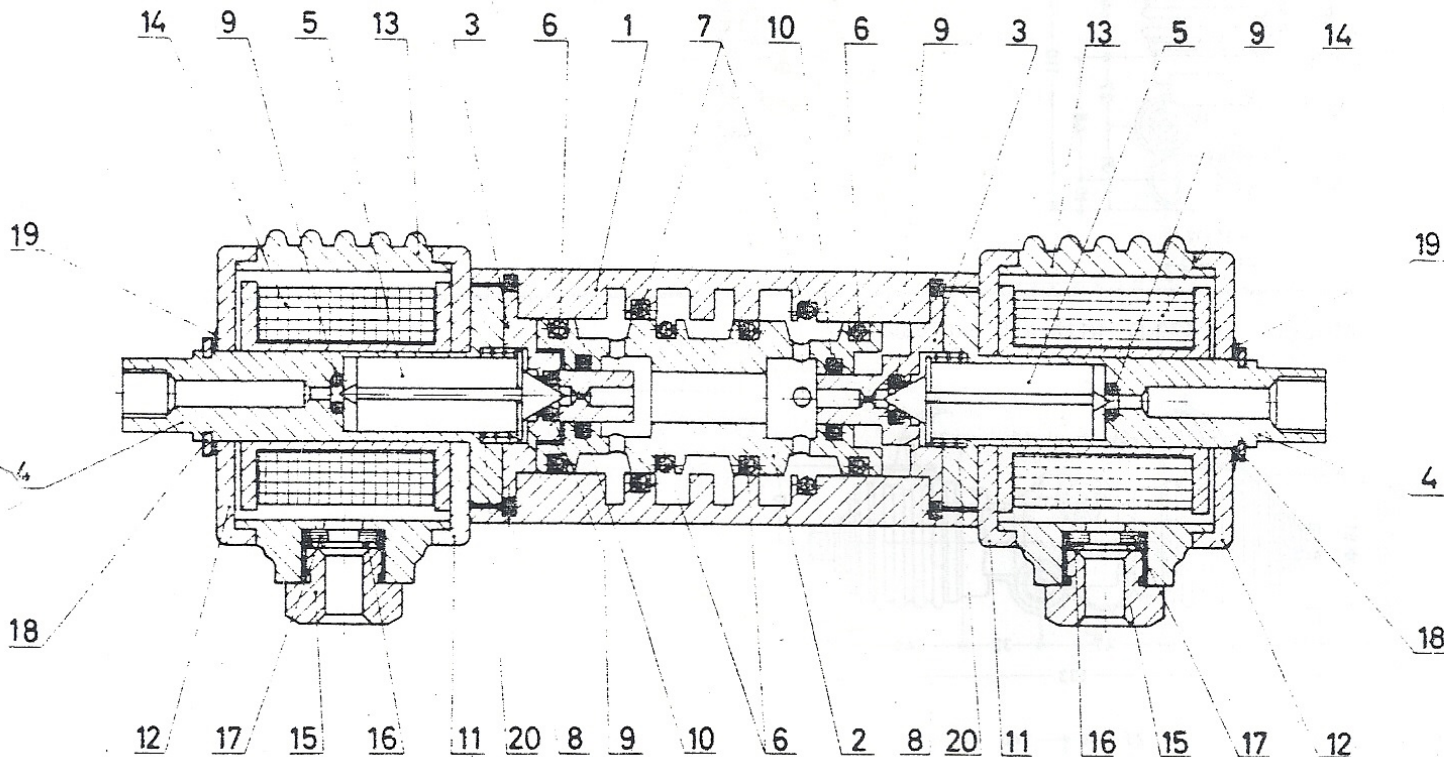
Stainless steel valve body. Solenoid protection: waterproof IP55, IP65 and Explosion proof EEXD according to EN-50014 and 50018 for Gr. IIB T5, with CESI certificate n° AD.82-203.

FOUR WAY SOLENOID VALVES

SPARE PARTS

MODEL EI/420 D

DRAWING N° 403A



CAUTION : When ordering spare parts, please specify:

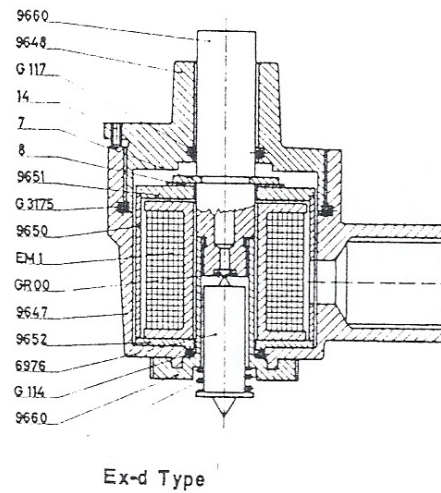
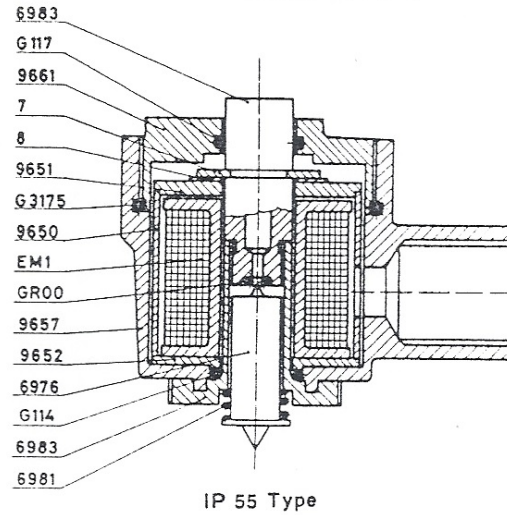
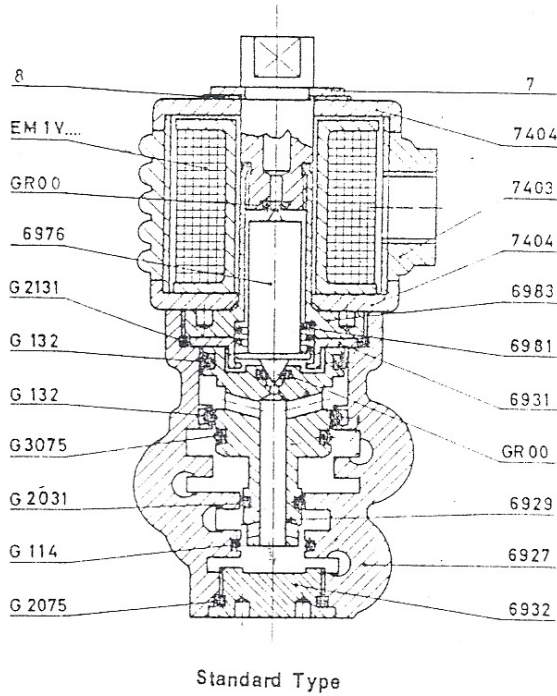
- 1) Item number
- 2) Valve model
- 3) Number of this drawing

MORREL INTERNATIONAL S.R.L. **Ex** dal 1953
Since

FOUR WAY PILOT OPERATED SOLENOID VALVES

MODEL E/420 D

TABLE 403 A



Nomenclature

6927	Body	9651	Upper cover of EEXD - TS electromagnet
6929	Spindle	7404	Upper and lower cover of STD electromagnet
6931	Bottom core guide	9652	Lower cover of EEXD - TS electromagnet
6932	Lower cover	9660	Core guide EEXD
6976	Core	6983	Core guide TS - STD
6981	Spring	EM1	Coil
7	Fastener	G114	O-RING gasket
8	Spring washer	G117	O-RING gasket
9647	External EEXD skirt	G132	O-RING gasket
9657	External TS skirt	G2031	O-RING gasket
7403	External STD skirt	G3075	O-RING gasket
9648	Cover of EEXD skirt	G3175	O-RING gasket
9661	Cover of TS skirt	GR00	O-RING gasket
9650	Internal EEXD - TS skirt	G2075	O-RING gasket
7402	Internal STD skirt	G2131	O-RING gasket