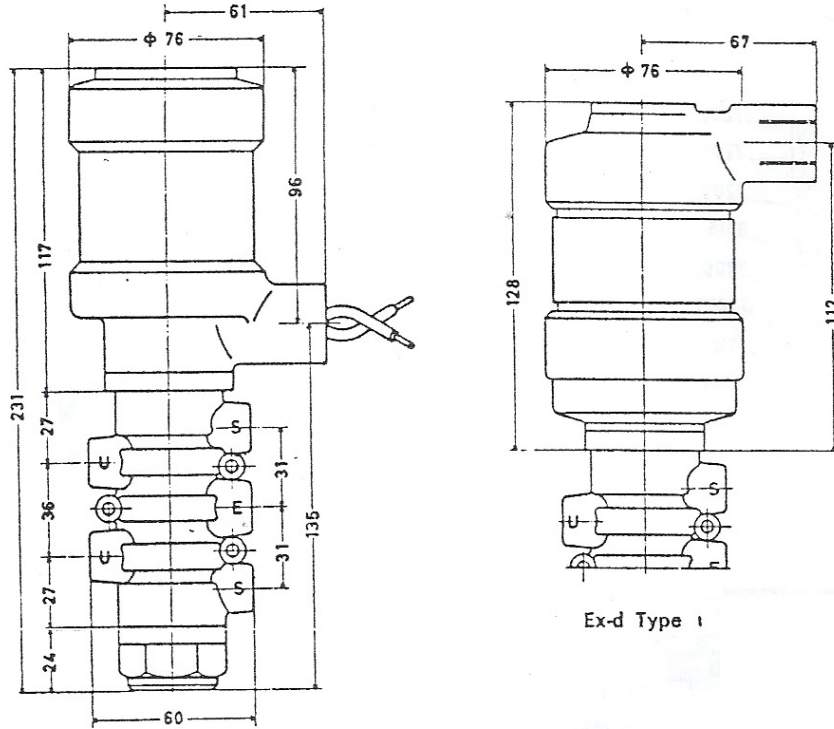


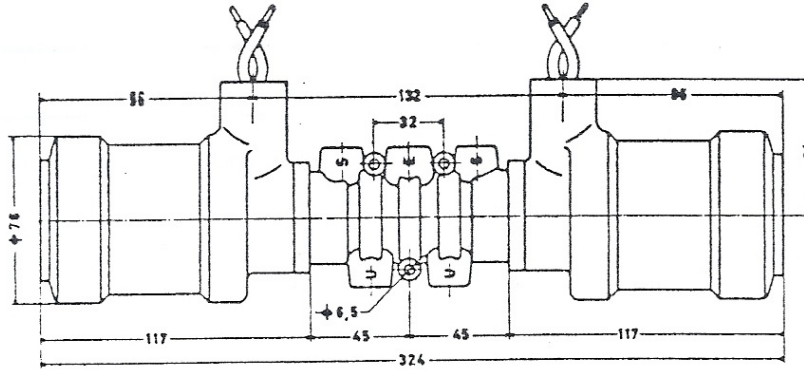
DIRECT ACTING FOUR WAY SOLENOID VALVES

Model ED 455 ÷ 4155

Table 416



Model EID 455 ÷ 4155



Model	Connection threads	kv	Max. press.
ED - EID 455	1/4" gas	16	10
ED - EID 4155	1/2" gas	20	10

Specifications

Single-solenoid (model ED/455) and double-solenoid (model EID/455) valves are particularly suitable for dry air instrument systems.

Their operation is ensured even with no circuit pressure since moving parts are directly actuated by the solenoid. This feature is particularly interesting in the case of double-solenoid valves activated by current pulses.

Their wide passageway (kv = 16) makes them suitable for the operation of very large pneumatic actuators, even in cases where high reaction speeds are required.

If one of their two outlets is blocked, these valves can also operate as normally open or normally closed three-way valves. In case of double-solenoid valves, this feature permits their use as three-way bistable valves.

Construction

Forged brass body, stainless steel moving parts, synthetic rubber gaskets.

Electrical characteristics

Solenoid coil wound with double-enamel Class H wire, absorbed power 28 Watts. 12 to 380 V voltage. Tolerance ±10%. Direct current operation only. In case alternate current operation is required, a terminal box can be provided with bridge rectifier circuit and a recycling diode (model R2/L for normal and waterproof valves, model R2/E for explosion-proof valves; CESI Certificate AD-1648/76).

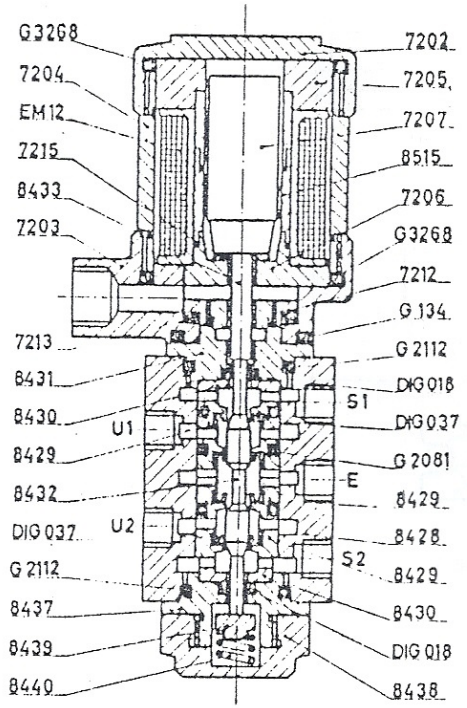
Optionals

IP55 or IP65 waterproof solenoid enclosure. Model EM12.B or EM12.D explosion-proof solenoid enclosure (CEI Standards 31.1 Gr. IIB T5). CESI Certificates AD-673/74 and AD-1647/76.

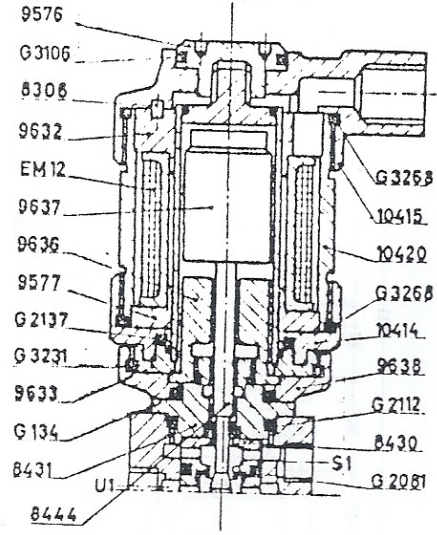
DIRECT ACTING FOUR WAY SOLENOID VALVES

Model ED/455+4155

Table 8393



Weather-proof TS IP-55



Explosion-proof EEXD

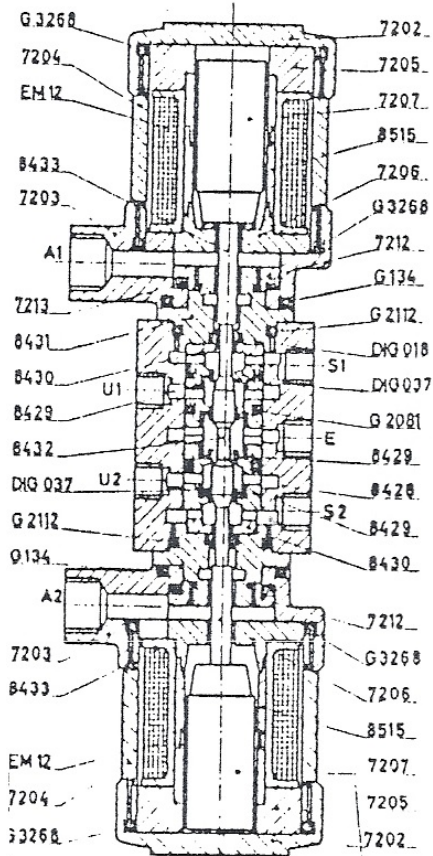
Nomenclature

1-8428	Body ED/455 1/4"	7206	Bottom washer EM12D STD-TS
1-8428-A	Body ED/485 3/8"	9636	Core EEXD
1-10770	Body ED/4155 1/2"	9577	Bottom washer EM12D EEXD
8432	Stem	8515	Movable core guide
8429	Inside bushing	7207	Movable core STD-TS
8430	Bushing spacer	9637	Movable core EEXD
8431	Actuator yoke	8441	Actuator pin STD-TS
8437	Bottom plug	8443	Actuator pin EEXD
8438	Bottom nut	9633	Core guide
8439	Spring guide	9576	Electromagnet locking ring
8440	Spring	9638	Spacer
7213	Cup spring	8306	Pin 3x10
7212	Actuator ring	EM12	Coil
7203	Top electromagnet cover EM12D STD-TS	GD1018	Molded packing
10414	Bottom electromagnet cover EM12D EEXD	GD1037	Molded packing
7204	Skirt EM12 D STD-TS	G2081	O-Ring seal
10420	Skirt EM12D EEXD	G2112	O-Ring seal
7202	Bottom electromagnet cover EM12D STD-TS	G3268	O-Ring seal
10415	Top electromagnet cover	G134	O-Ring seal
7205	Top washer EM12D STD-TS	G3106	O-Ring seal
9632	Top washer EM12D EEXD	G3231	O-Ring seal
		G2-28	O-Ring seal

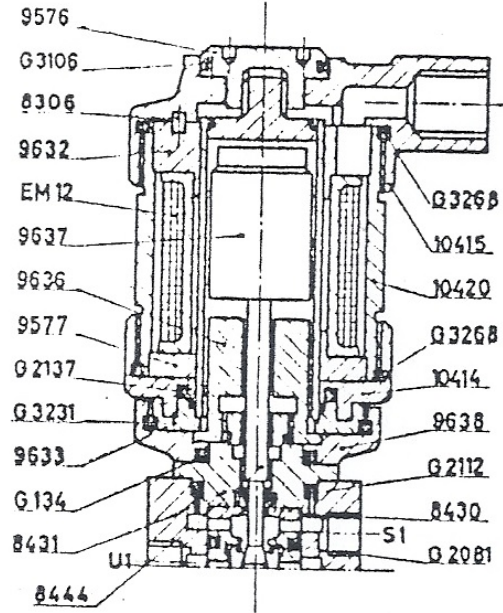
DIRECT ACTING FOUR WAY SOLENOID VALVES

Model EID/455 ÷ 4155

Table 8392



Weather-proof TS IP-55 STD



Explosion-proof EEXD

Nomenclature

8428	Body EID/455 1/4"	9632	Top washer EM12D EEXD
8428/A	Body EID/485 3/8"	9633	Core guide
10770	Body EID/4155 1/2"	9637	Movable core EEXD
8432	Stem	7207	Movable core STD-TS
8429	Inside bushing	8306	Pin 3x10
8430	Bushing spacer	9638	Spacer
8431	Actuator yoke	8433	Actuator pin STD-TS
7213	Cup spring	8444	Actuator pin EEXD
7212	Actuator ring	EM12	Coil
7203	Top electromagnet cover EM12D STD-TS	GD1018	Molded packing
7204	Skirt EM12D STD-TS	GD1037	Molded packing
7202	Bottom electromagnet cover EM12D STD-TS	G2081	O-Ring seal
7205	Top washer EM12D STD-TS	G2112	O-Ring seal
7206	Bottom washer EM12D STD-TS	G2037	O-Ring seal
10414	Bottom electromagnet cover EM12D EEXD	G3268	O-Ring seal
10415	Top electromagnet cover	G134	O-Ring seal
10420	Skirt EM12D EEXD	G3106	O-Ring seal
9576	Electromagnet locking ring	G3231	O-Ring seal
9577	Bottom washer EM12D EEXD		